

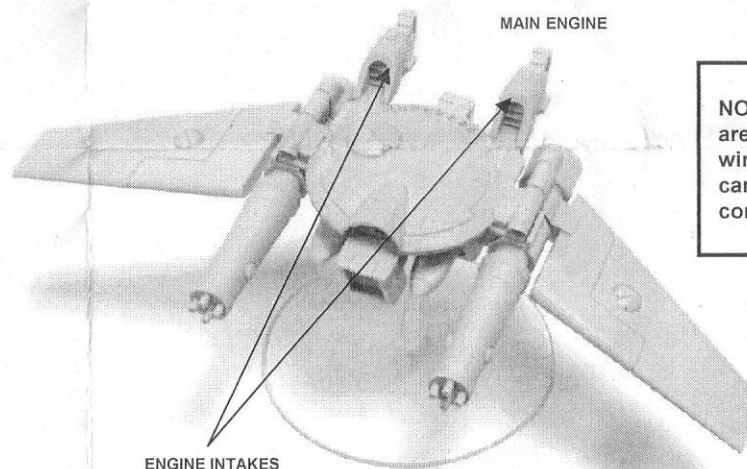
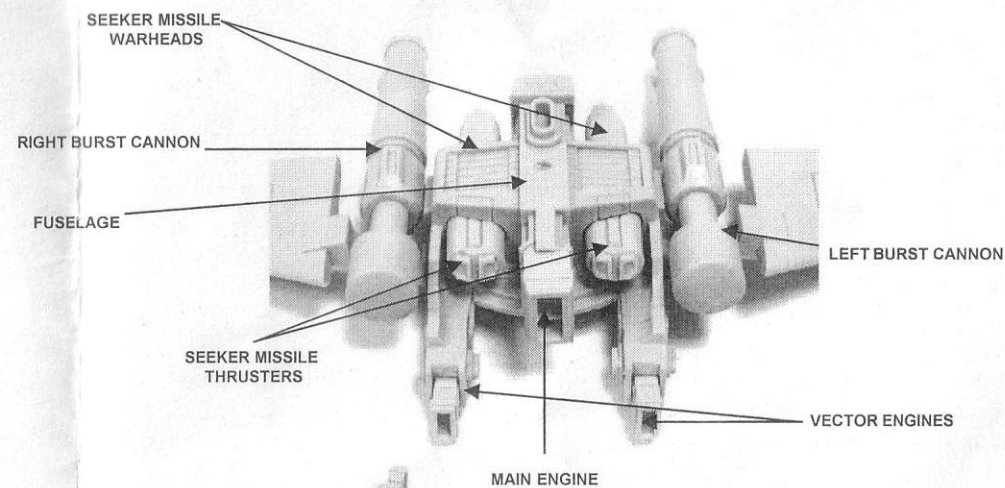
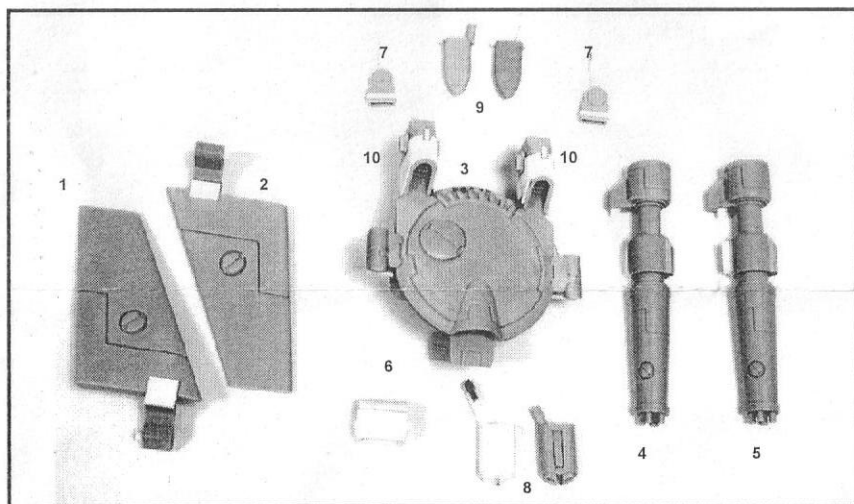


Free Downloads of Build Instructions,
Assembly Booklets & How To Guides

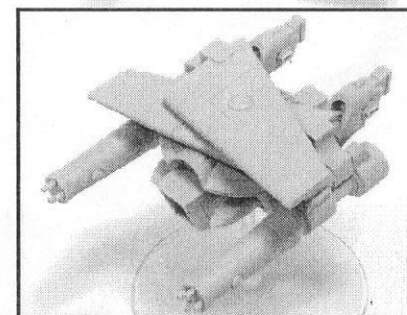
BuildInstructions.com

COMPONENTS LIST

1. RIGHT WING
2. LEFT WING
3. FUSELAGE
4. LEFT BURST CANNON
5. RIGHT BURST CANNON
6. MAIN ENGINE
7. VECTOR ENGINES (x2)
8. SEEKER MISSILE THRUSTERS (X2)
9. SEEKER MISSILE WARHEADS (X2)
10. ENGINE INTAKES (x2)



NOTE: The Burst Cannons are sided and mount the wings so that they can fold over each other correctly.



This kit contains all the pieces required to build two Tau Remoras
To glue the resin pieces together use Citadel Super Glue.

NOTE: We have cast this kit using the most advanced techniques and the best quality resin, but due to the nature of the casting process your model may contain very slight air bubbles. These can easily be filled with model filler or super glue. Any slight warpage of thin parts can easily be corrected by immersing the part in hot tap water for about 1 minute then carefully bending it back into shape.

THIS IS NOT A TOY

Not suitable for children under 15 years of age.

WARNING: Resin dust can be harmful if inhaled. Always wear a dust mask or respirator when sanding or sawing resin parts.