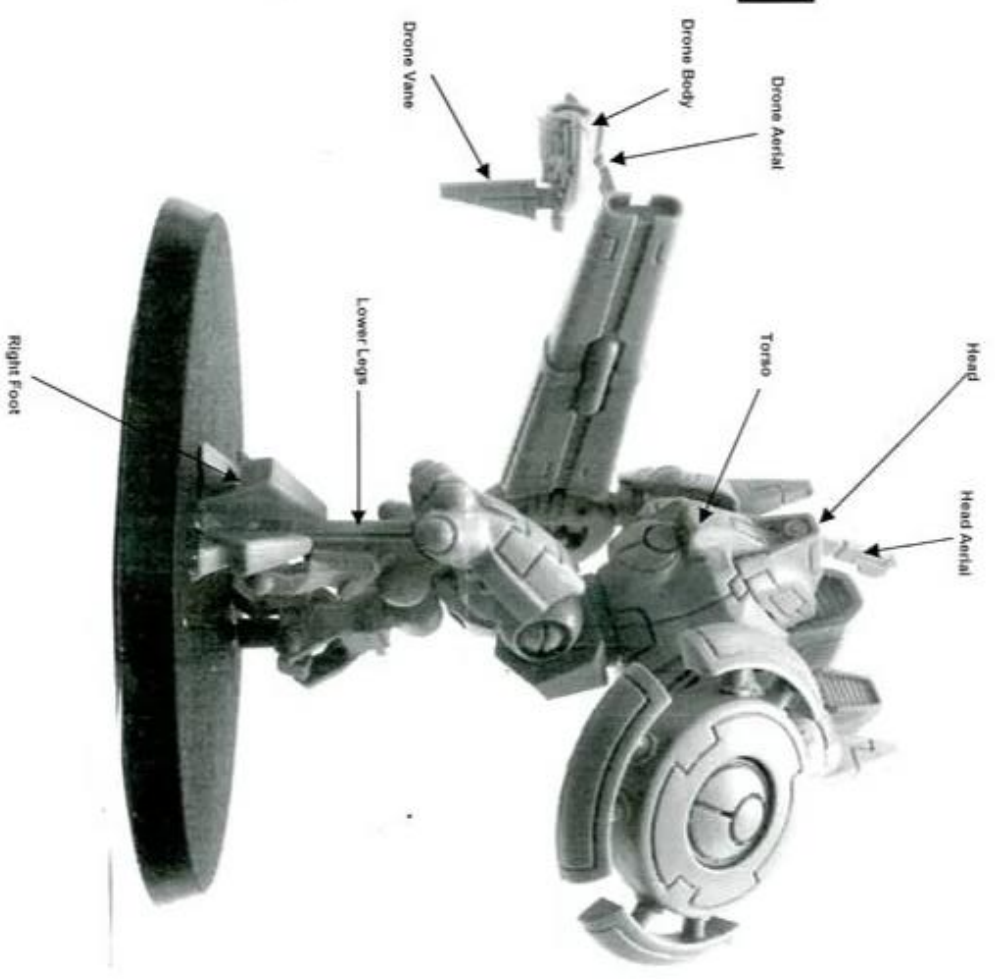
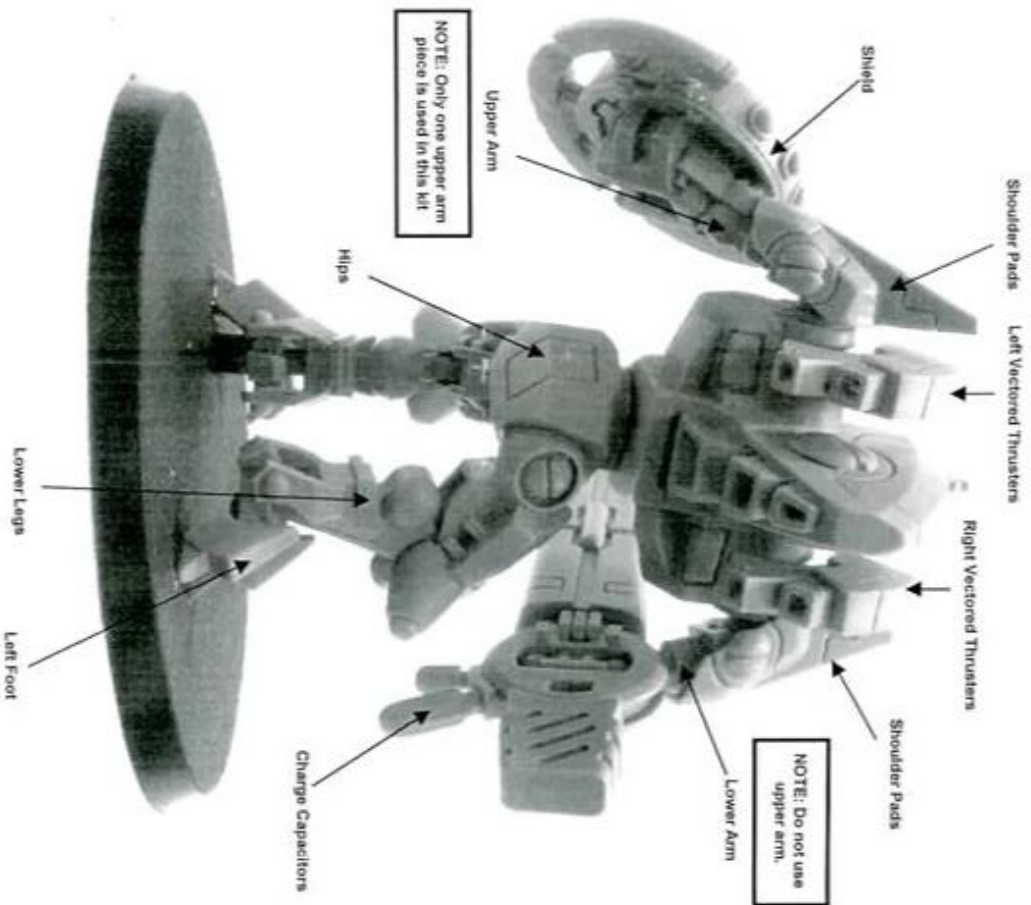


Free Downloads of Build Instructions,  
Assembly Booklets & How To Guides

**BuildInstructions.com**



### COMPONENTS LIST

1. Right Foot
2. Left Foot
3. Shield
4. Drone Body (x2)
5. Drone Vane (x2)
6. Drone Aerial (x2)
7. Head
8. Head Aerial
9. Hips
10. Torso
11. Upper Arms (x2)
12. Shoulder Pads (x2)
13. Lower Legs (x2)
14. Right Vectored Thrusters
15. Left Vectored Thrusters
16. Pulse Submunitions Rifle
17. Charge Capacitors
18. Lower Arm
19. Left Thigh
20. Right Thigh

This kit contains all the pieces required to build one Commander Shas'o R'Alai Battlesuit with Drones.

To glue the resin pieces together use Citadel Super Glue.

**NOTE:** We have cast this kit using the most advanced techniques and the best quality resin, but due to the nature of the casting process your model may contain very slight air bubbles. These can easily be filled with model filler or super glue. Any slight warpage of thin parts can easily be corrected by immersing the part in hot tap water for about 1 minute then carefully bending it back into shape.

### THIS IS NOT A TOY

Not suitable for children under 15 years of age.

**WARNING:** Resin dust can be harmful if inhaled. Always wear a dust mask or respirator when sanding or sawing resin parts.

