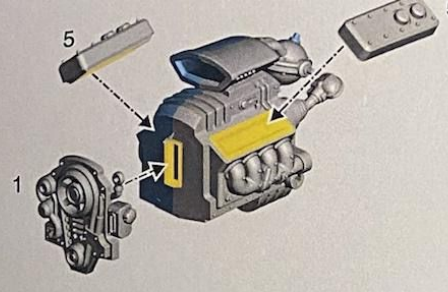
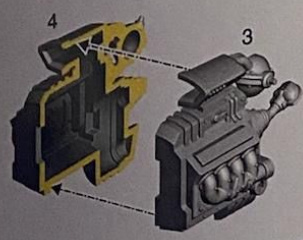




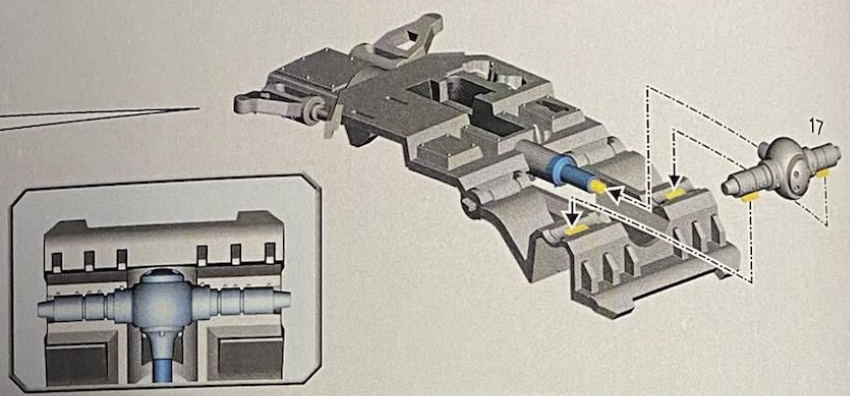
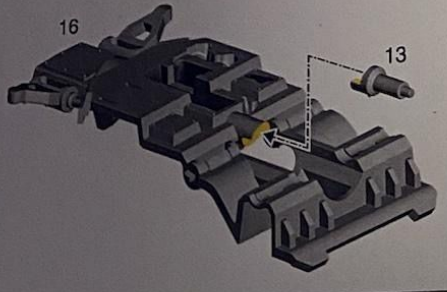
Free Downloads of Build Instructions,
Assembly Booklets & How To Guides

BuildInstructions.com

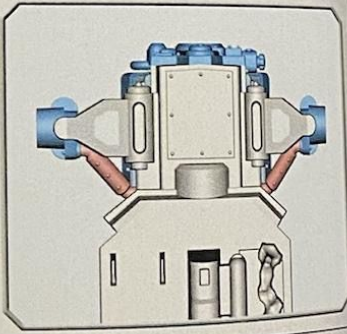
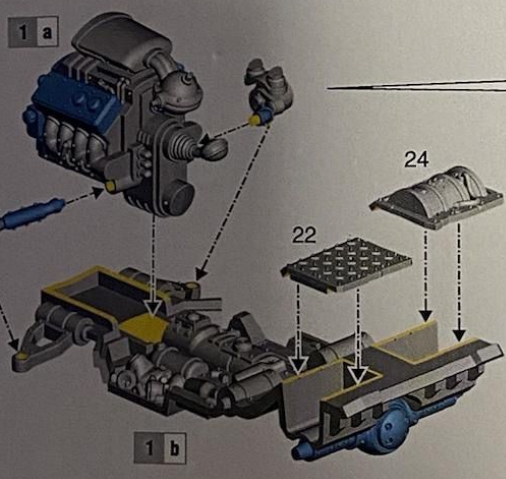
1 a



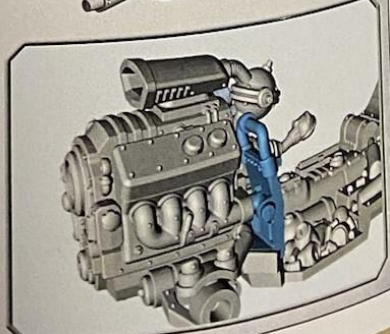
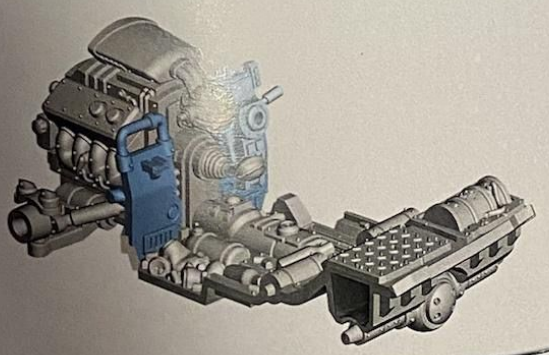
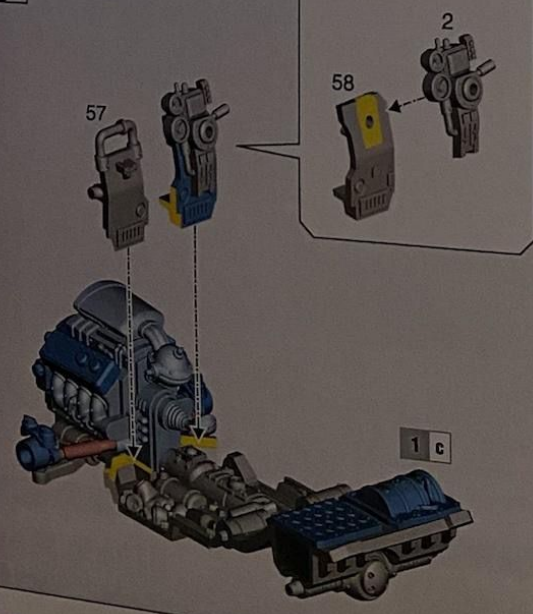
1 b




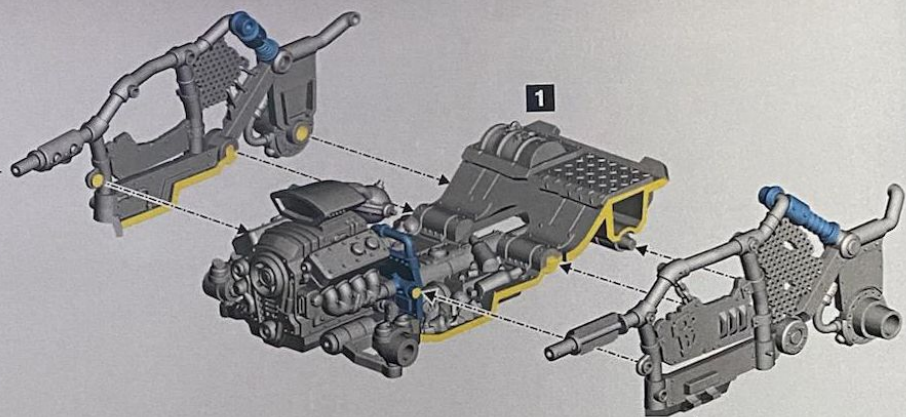
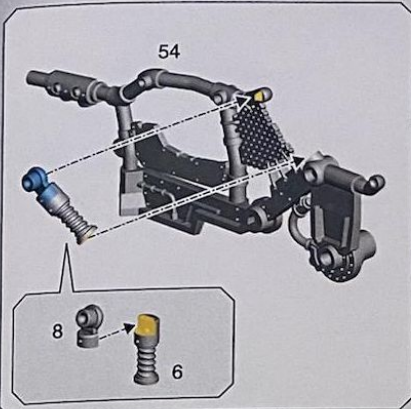
1 c



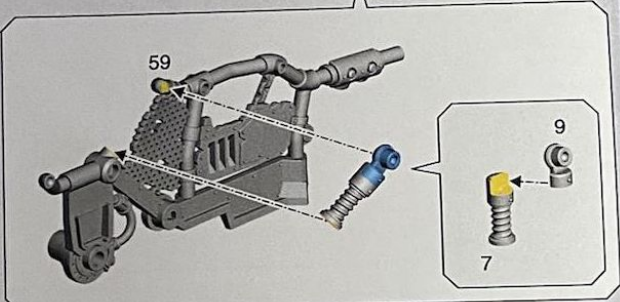
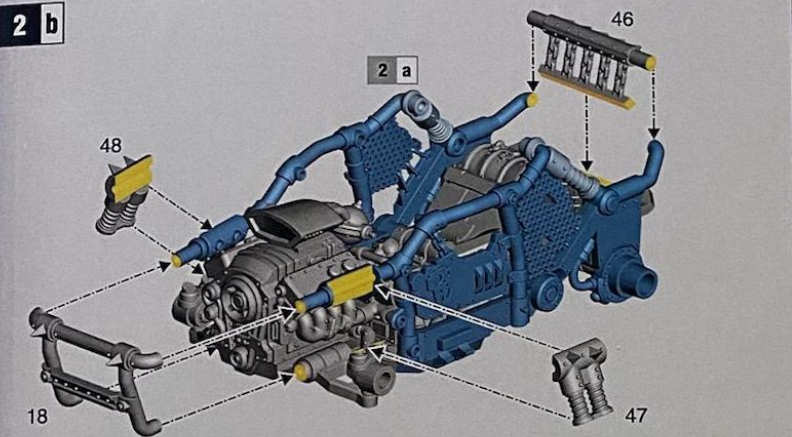
1 d



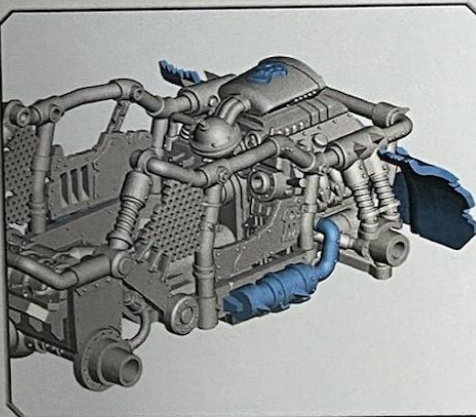
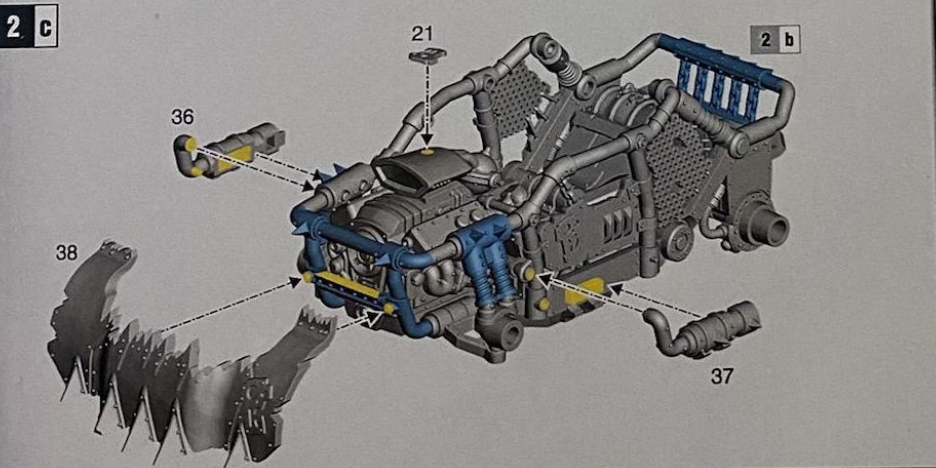
2 a 



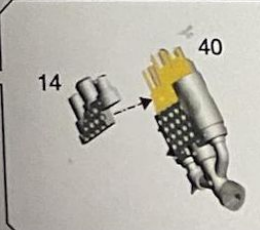
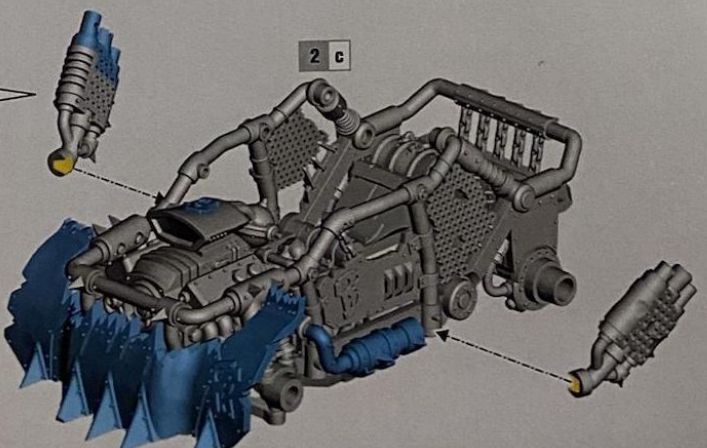
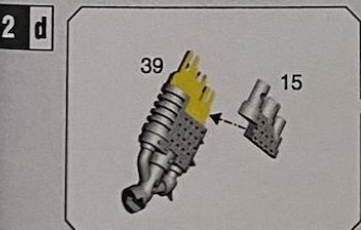
2 b



2 c

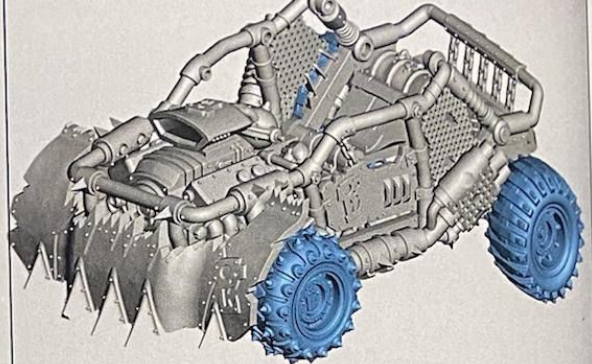
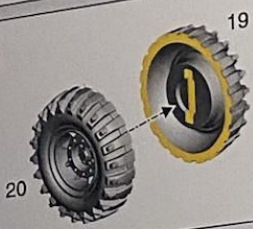


2 d

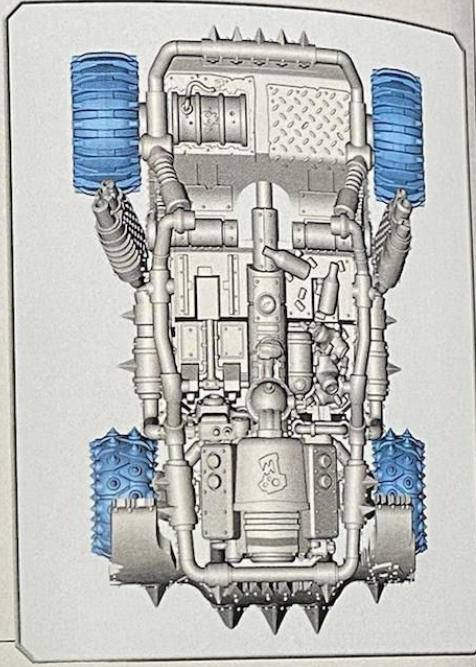
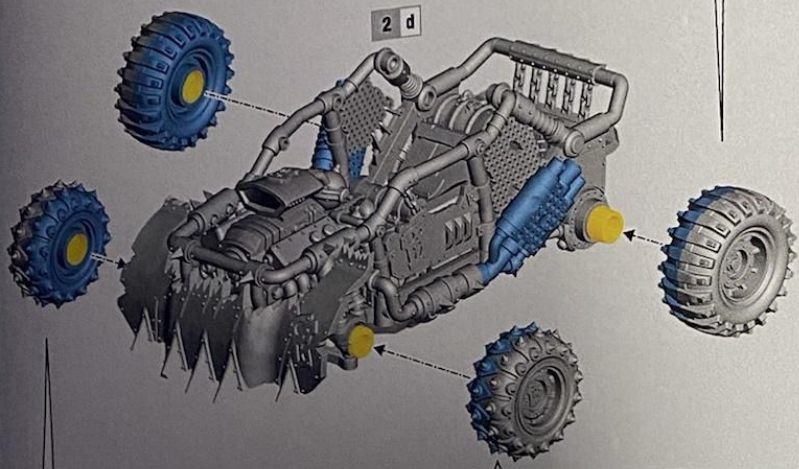


2 e

x2



2 d

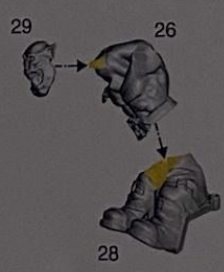


x2

12



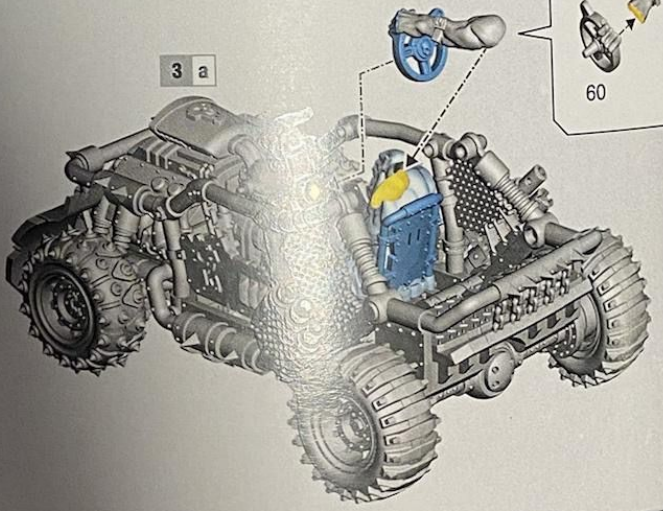
3 a



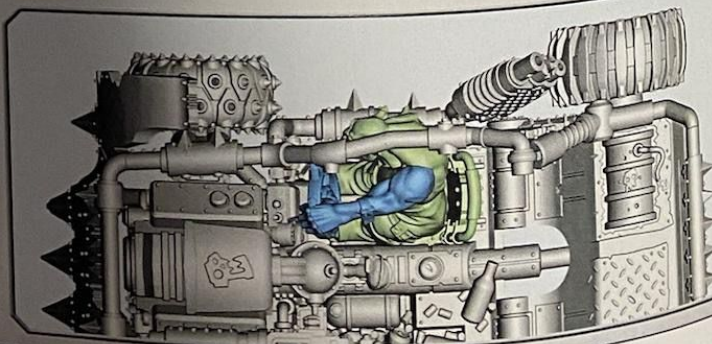
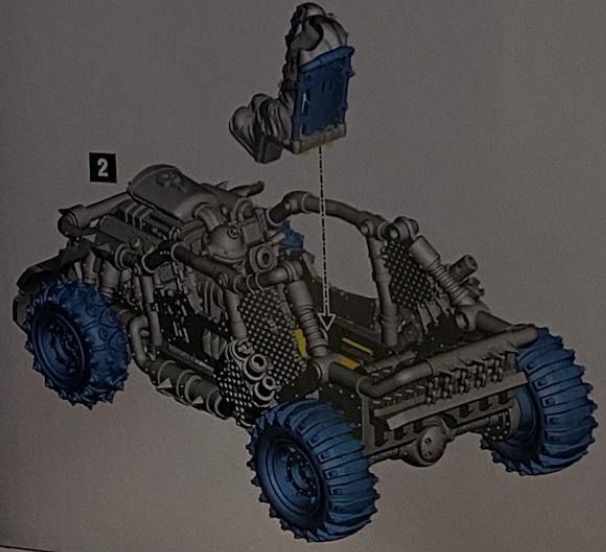
3 b

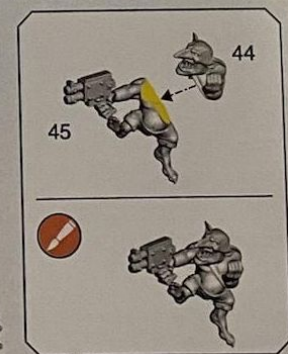
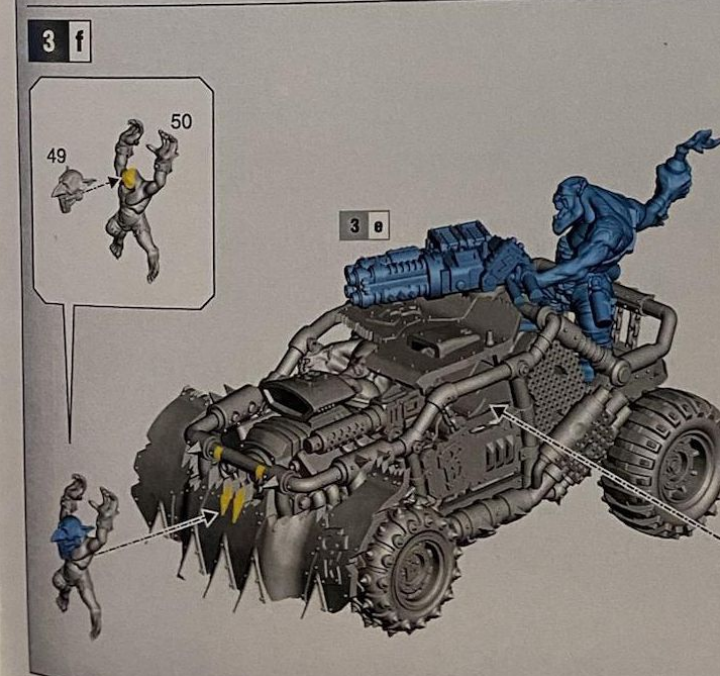
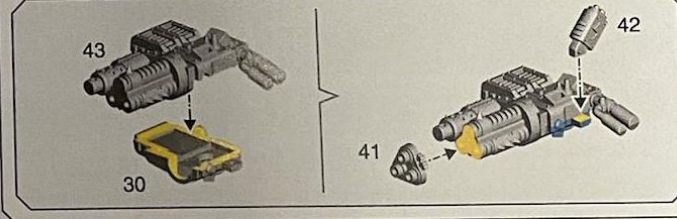
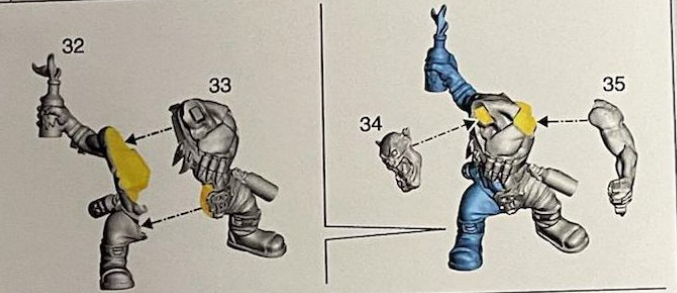
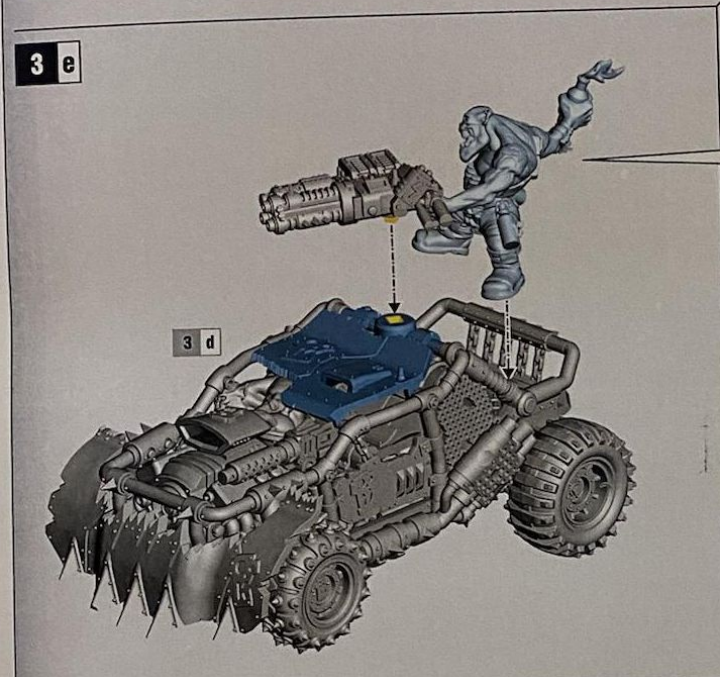
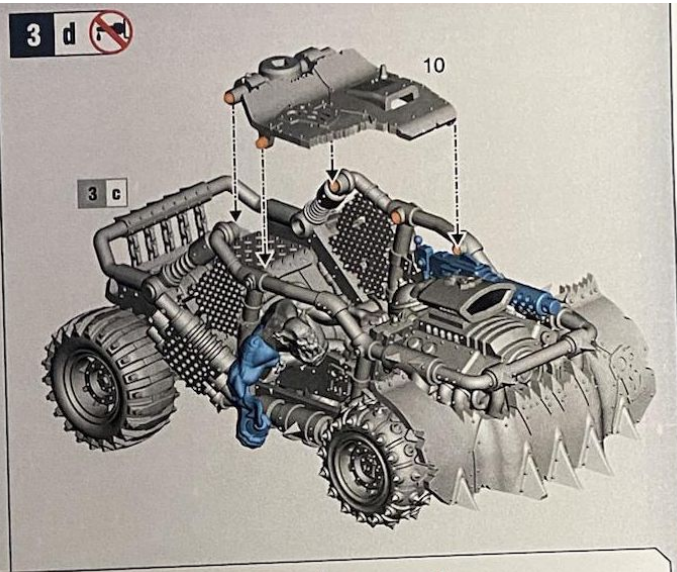
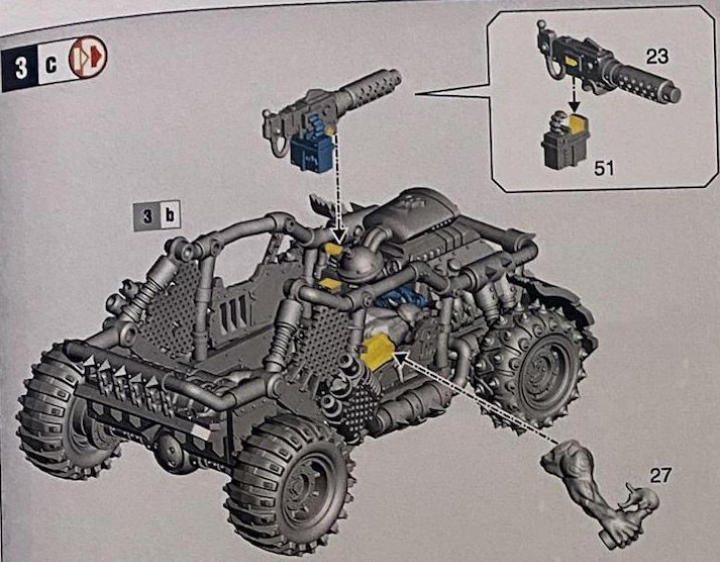


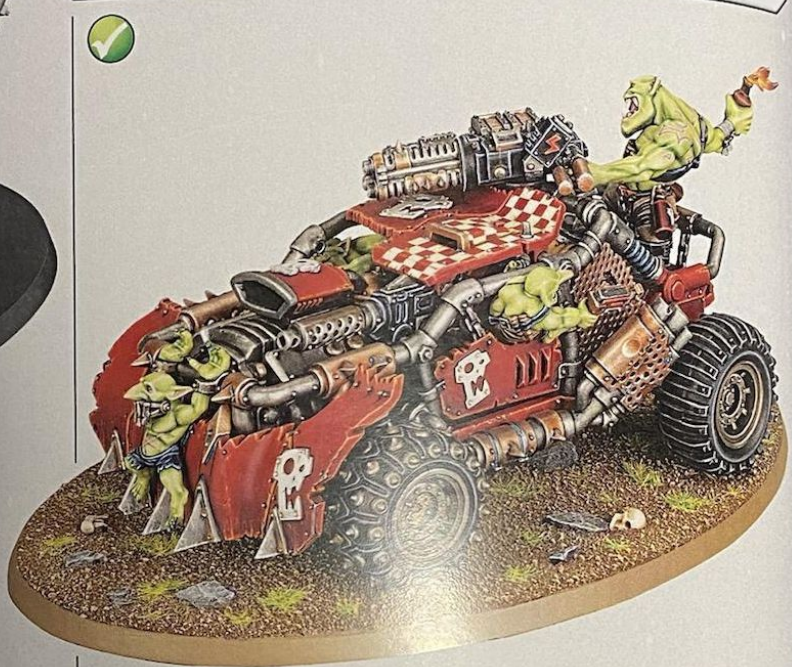
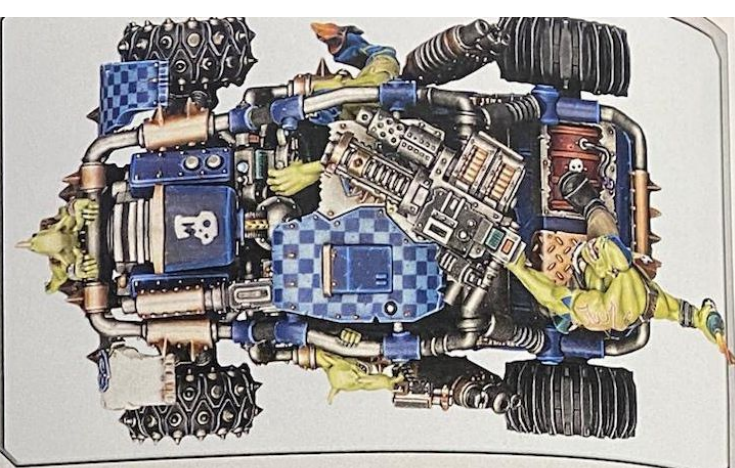
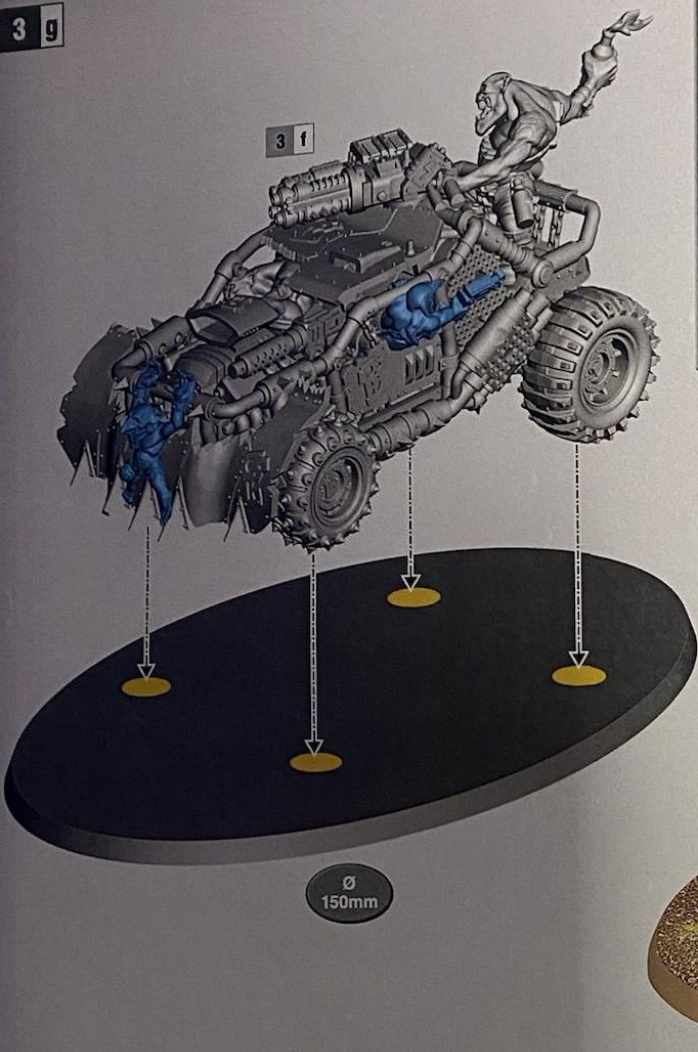
3 a



2







ENGLISH These essential rules will get your new unit on the battlefield – for the full rules for this unit, see the index relevant to your army.

BOOMDAKKA SNAZZWAGON




NAME	M	WS	BS	S	T	W	A	Ld	Sv
Boomdikka Snazzwagon	12"	4+	5+	5	6	8	4	6	4+

This unit contains 1 Boomdikka Snazzwagon. It can include 1 additional Boomdikka Snazzwagon (Power Rating +5) or 2 additional Boomdikka Snazzwagons (Power Rating +10). Each model is equipped with a Mek speshul and big shoota, and each model's crew is armed with burna bottles and a grot blasta.

WEAPONS	RANGE	TYPE	S	AP	D	ABILITIES
Big shoota	36"	Assault 3	5	0	1	-
Grot blasta	12"	Pistol 1	3	0	1	-
Mek speshul	24"	Assault 9	5	-2	1	-
Burna bottles	6"	Grenade 2D6	4	0	1	-

ABILITIES

'Ere We Go, Mob Rule, Dakka! Dakka! Dakka!, Speed Mob

Grot Gunner: Add 1 to hit rolls for attacks made with this model's big shoota and grot blasta.

Billowing Fumes: Subtract 1 from hit rolls for attacks made with ranged weapons that target this model.

Riding Shotgun: When this model shoots, it can throw a Grenade and shoot with its Pistol(s) in addition to any other weapons.

Explodes: If this model is reduced to 0 wounds, roll a D6. On a 4+ it explodes, and each unit within D6" suffers D3 mortal wounds.

FACTION KEYWORDS

KEYWORDS ORK, <CLAN>
VEHICLE, SPEED FRECKS, BOOMDAKKA SNAZZWAGONS