

Free Downloads of Build Instructions,
Assembly Booklets & How To Guides

BuildInstructions.com

IMPERIAN™ ARMOUR

™

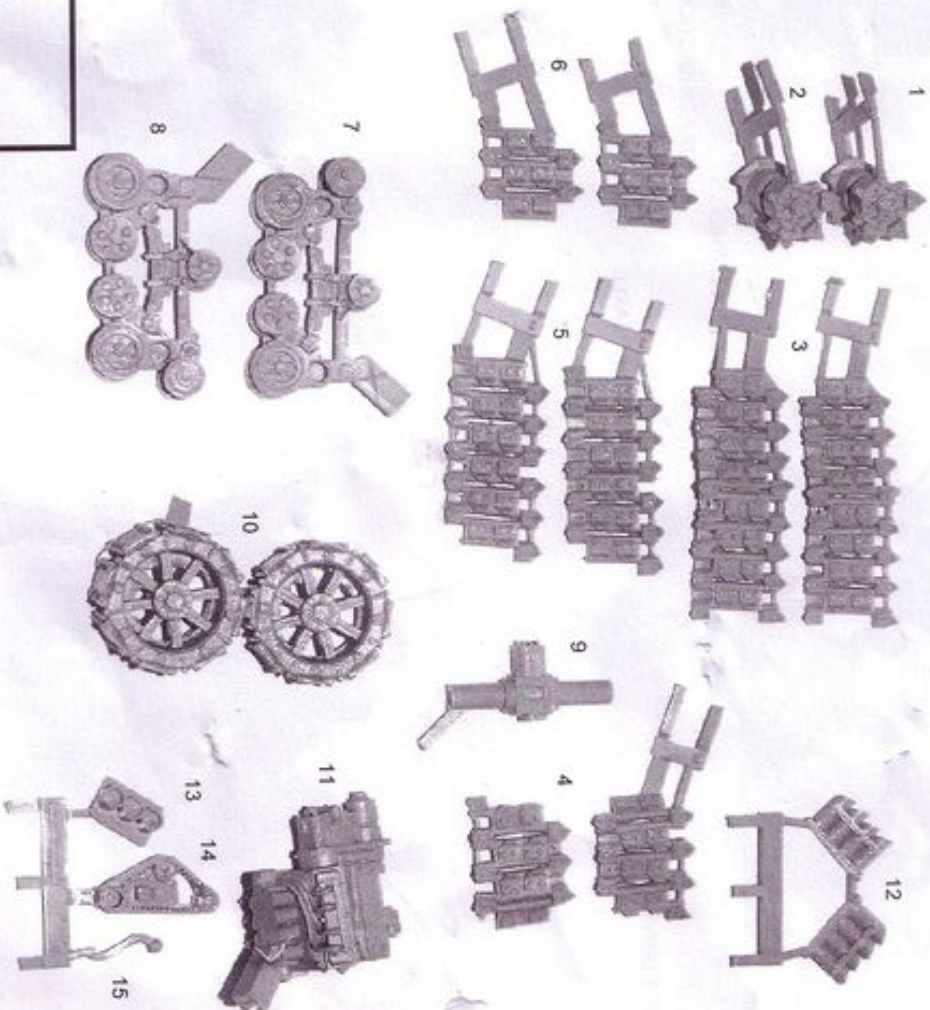
ORK HALFTRAKK

Product code : IA-ORK-T-027

99590103098

RESIN COMPONENTS LIST

1. RIGHT DRIVE WHEEL
2. LEFT DRIVE WHEEL
3. TRACK SECTION 1 (X2)
4. TRACK SECTION 2 (X2)
5. TRACK SECTION 3 (X2)
6. TRACK SECTION 4 (X2)
7. LEFT TRACK BOGIES
8. RIGHT TRACK BOGIES
9. TRANSAXLE
10. FRONT WHEELS (X2)
11. ENGINE BLOCK
12. EXHAUSTS (X2)
13. INLET TRUMPETS
14. DRIVE PULLEY
15. GEAR STICK



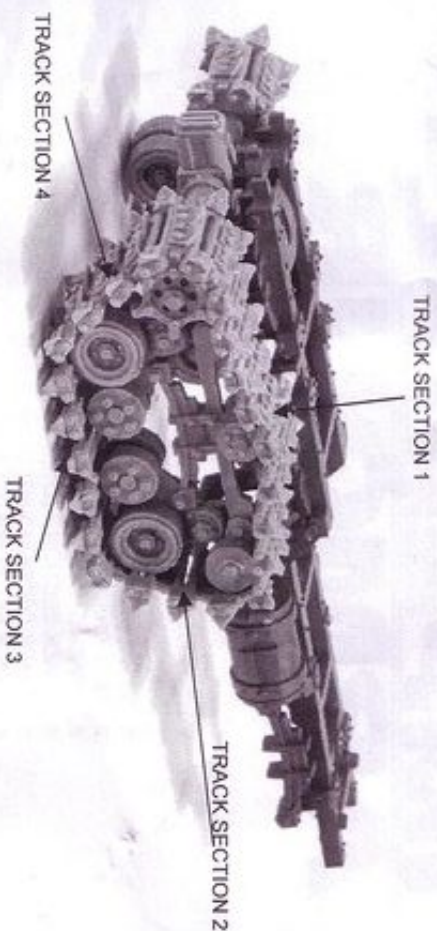
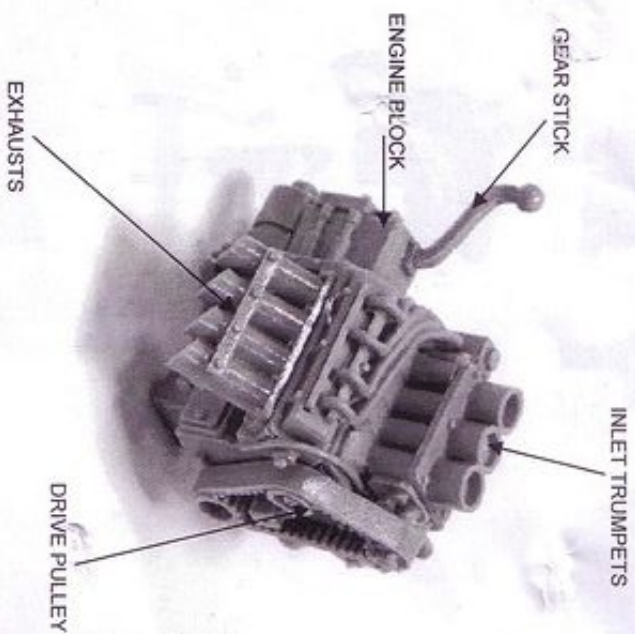
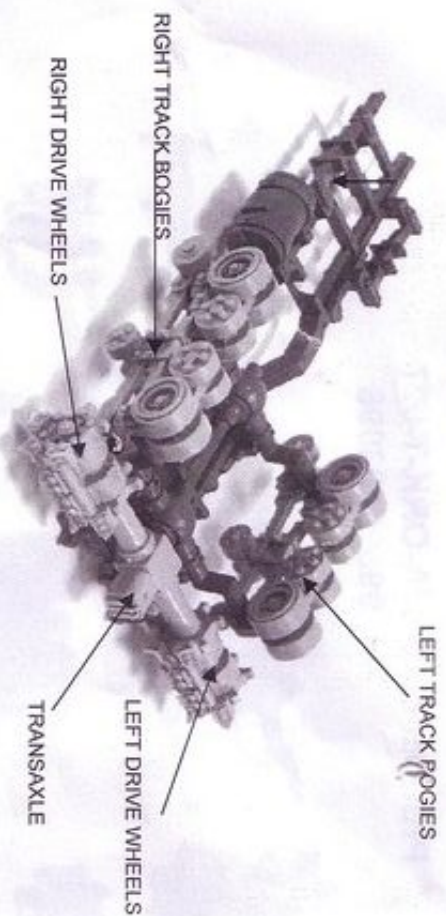
This kit contains all the pieces required to make a ORK Halfttrakk.
To glue the resin pieces either together or to plastic components use Citadel
Super Glue.

NOTE: We have cast this conversion kit using the most advanced techniques
and the best quality resin, but due to the nature of the casting process your
model may contain very slight air bubbles. These can easily be filled with
model filler or super glue. Any slight warpage of thin parts can easily be
corrected by immersing the part in hot tap water for about 1 minute then
carefully bending it back into shape.

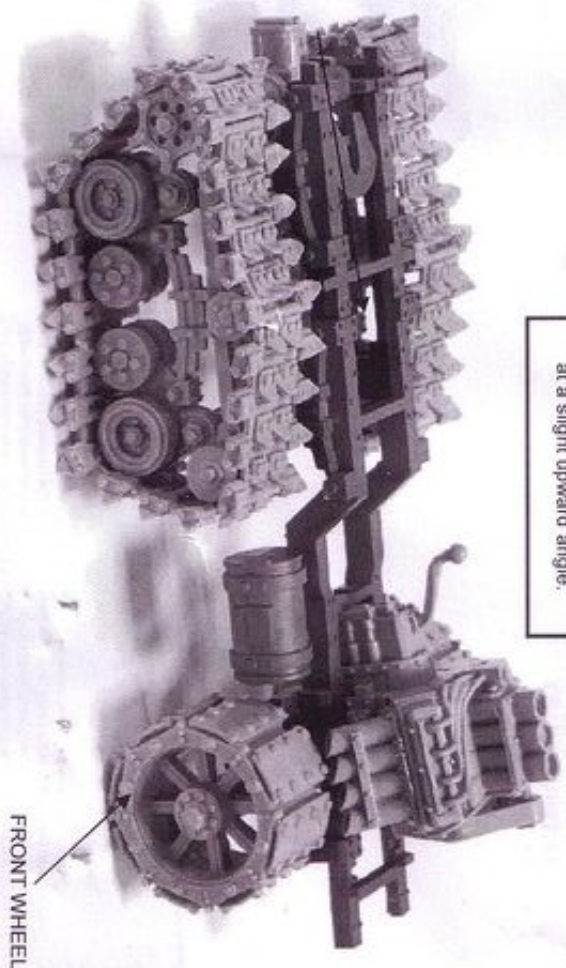
THIS IS NOT A TOY

Not suitable for children under 15 years of age.

WARNING: Resin dust can be harmful if inhaled. Always wear a dust
mask or respirator when sanding or sawing resin parts.



NOTE: The engine is hooked into the chassis and sits at a slight upward angle.



The rolling chassis is now complete. The model can be customised using the Plastic Truck parts or additional Forge World kits.