



Free Downloads of Build Instructions,  
Assembly Booklets & How To Guides

**BuildInstructions.com**

# IMPERIAL™ ARMOUR

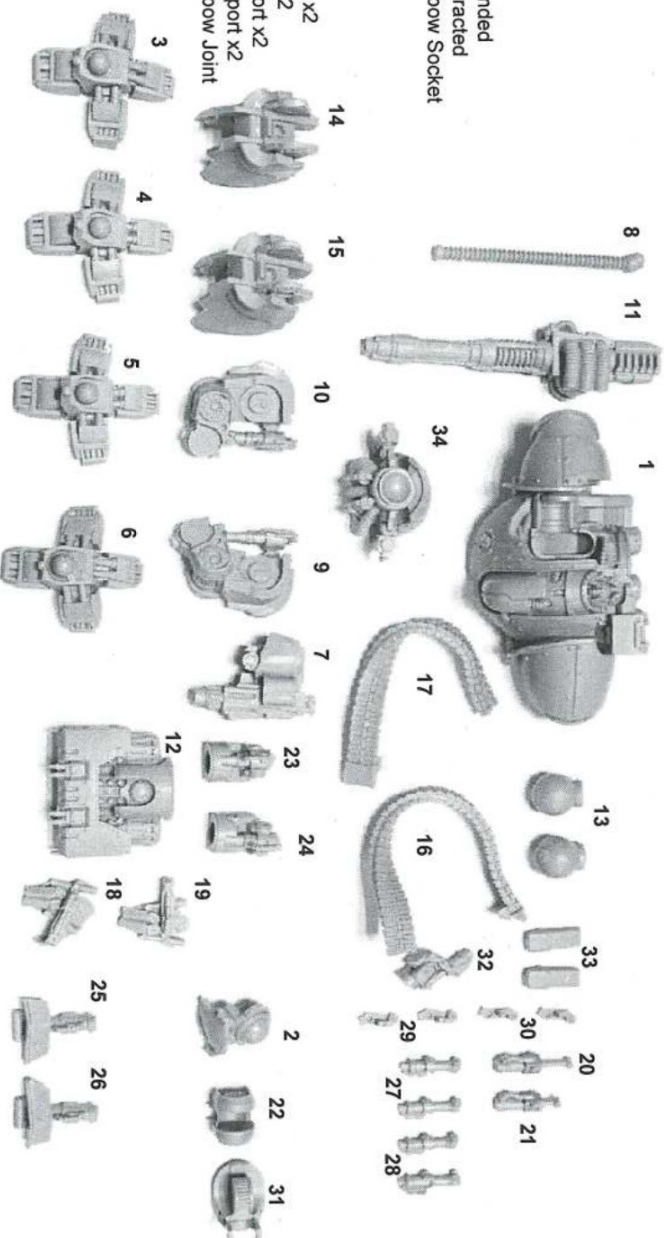
## THANATAR-CALIX SIEGE-AUTOMATA

99590108135

### THANATAR-CALIX SIEGE-AUTOMATA RESIN COMPONENTS LIST

1. Body
2. Groin
3. Right Foot Raised
4. Right Foot Flat
5. Left Foot Flat
6. Left Foot Raised
7. Mauler Bolt Cannon
8. Graviton Ram Power Cable
9. Left Upper Leg
10. Right Upper Leg
11. Sollex Pattern Heavy Lascannon
12. Graviton Ram
13. Shoulders x2
14. Right Lower Leg
15. Left Lower Leg
16. Bolt Cannon Ammo Feed 1
17. Bolt Cannon Ammo Feed 2
18. Left Rear Claw

19. Left Front Claw
20. Elbow Joint Extended
21. Elbow Joint Contracted
22. Graviton Ram Elbow Socket
23. Left Hip
24. Right Hip
25. Right Leg Brace
26. Left Leg Brace
27. Right Leg Piston x2
28. Left Leg Piston x2
29. Left Piston Support x2
30. Right Piston Support x2
31. Graviton Ram Elbow Joint
32. Elbow Joint
33. Shin Guard x2
34. Waist



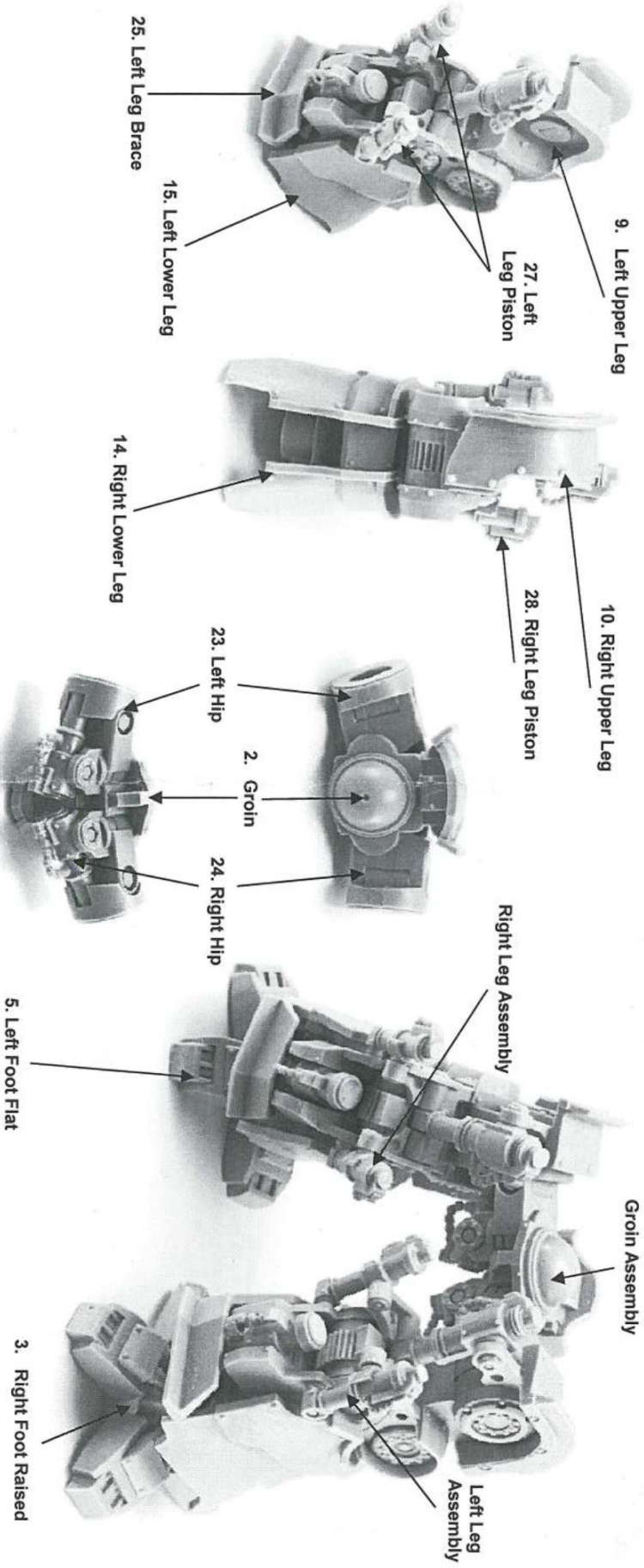
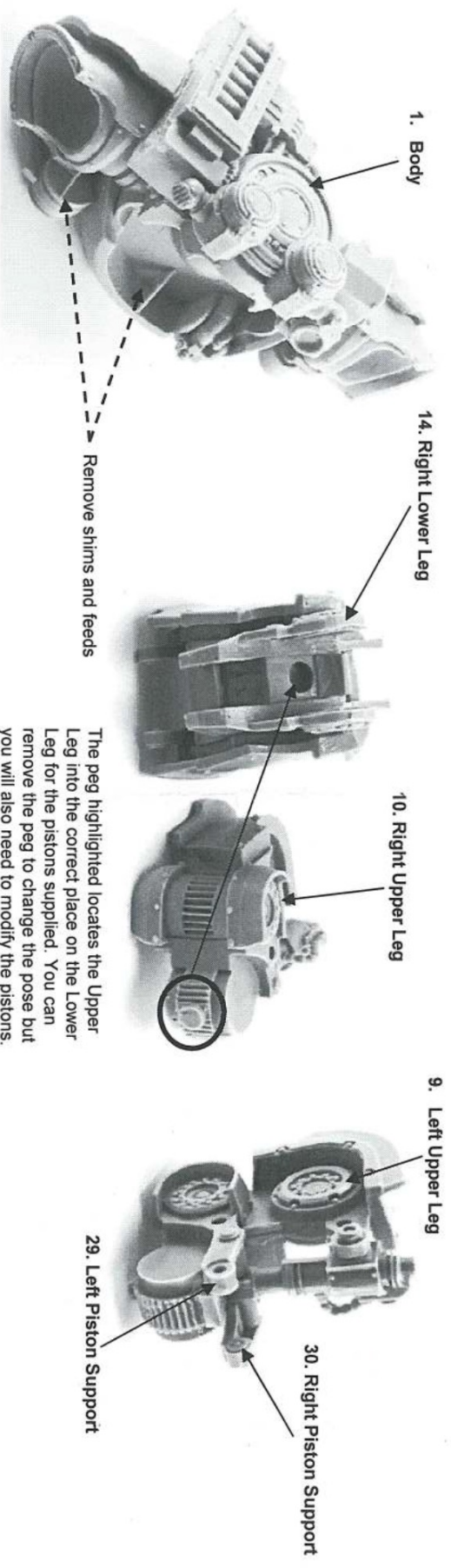
This kit contains all the pieces required to build the Thanatar-calix Siege-Automata  
To glue the resin pieces together and to plastic kit parts  
use Citadel Super Glue.

**NOTE:** We have cast this kit using the most advanced techniques and the best quality resin, but due to the nature of the casting process your model may contain very slight air bubbles. These can easily be filled with model filler or super glue. Any slight warpage of thin parts can easily be corrected by immersing the part in hot tap water for about 1 minute then carefully bending it back into shape.

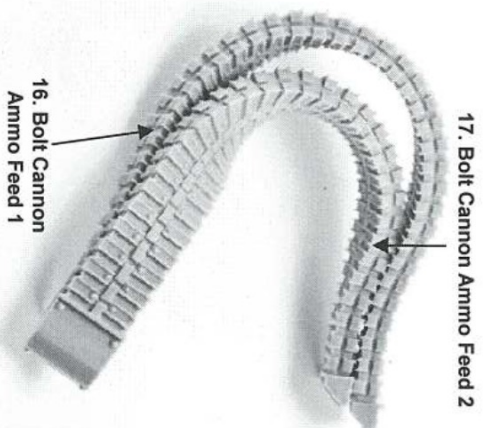
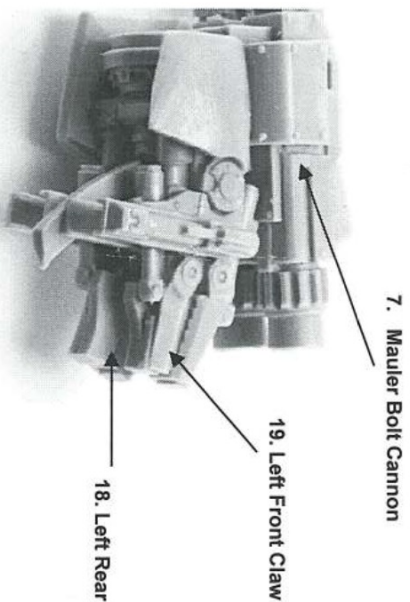
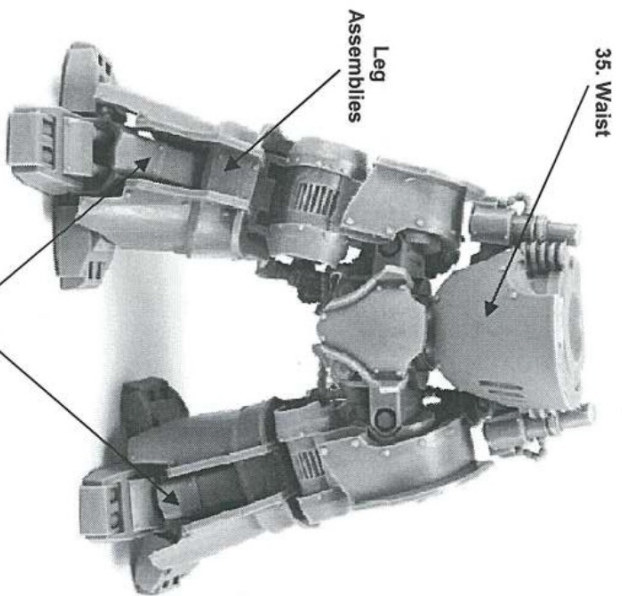
#### THIS IS NOT A TOY

Not suitable for children under 15 years of age.  
**WARNING:** Resin dust can be harmful if inhaled. Always wear a dust mask or respirator when sanding or sawing resin parts.

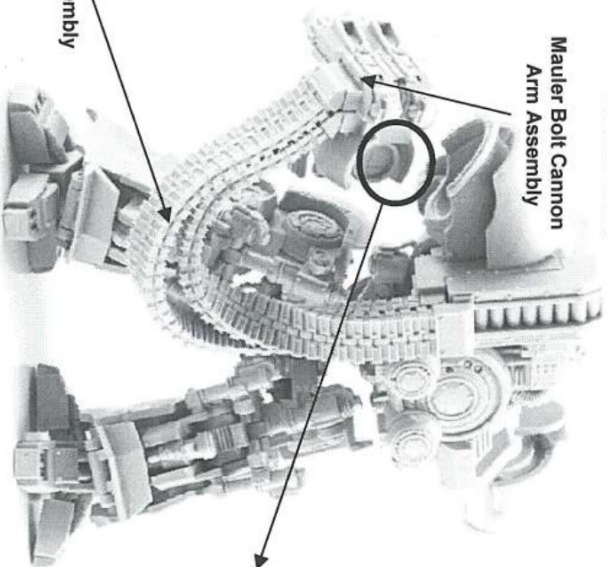
The copyright on the model designs and components within this box is the exclusive property of Games Workshop Ltd. Copyright Games Workshop Ltd., 2015. All rights reserved.



The Thanatar comes with two spare feet to allow different poses.

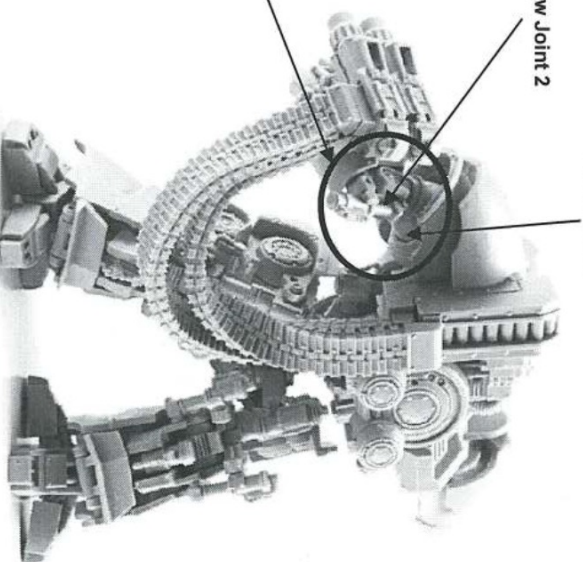


34. Shin Guard



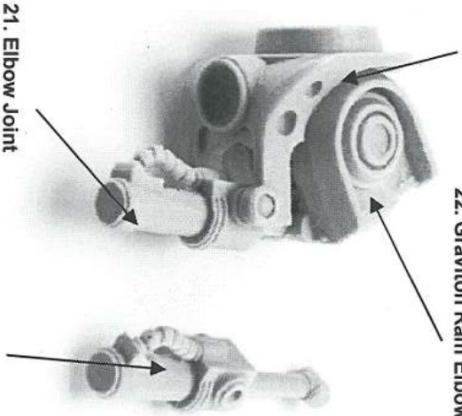
Attach the Ammo Feeds to the Body and the Mauler Bolt Cannon Assembly and attach the Shoulder Assembly to the Body.  
 Apply heat to the Ammo Feeds using a hair dryer or hot air gun (Submerging the part in hot water may also suffice) until they are flexible enough to allow the elbow to be connected.

33. Elbow Joint 2



31. Graviton Ram Elbow Joint

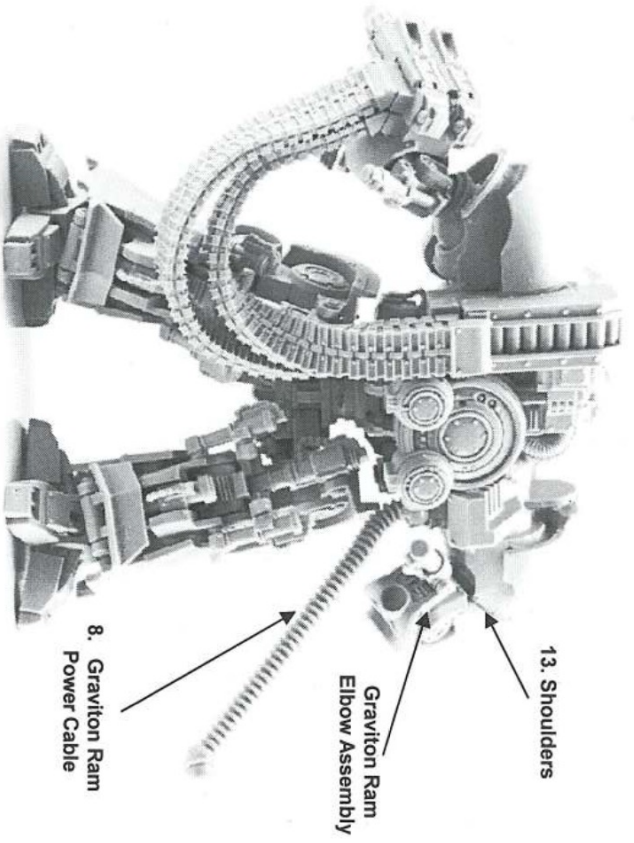
22. Graviton Ram Elbow Socket



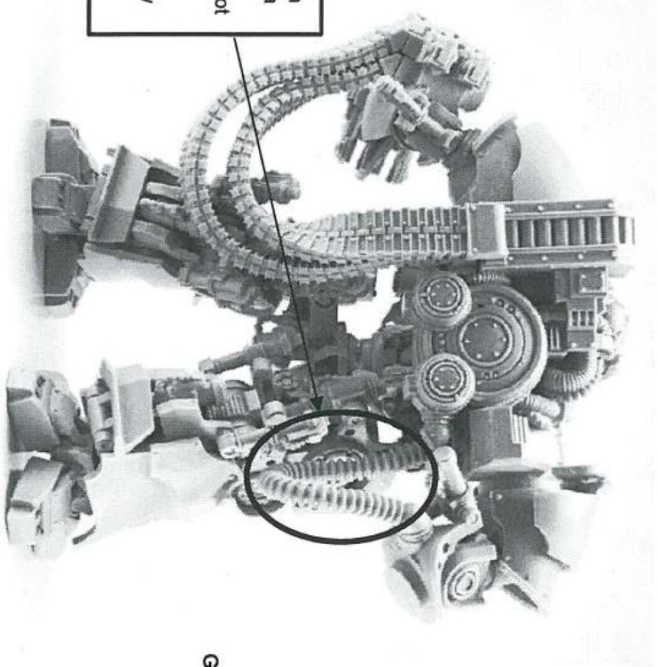
21. Elbow Joint Contracted

20. Elbow Joint Extended

NOTE: This is an optional replacement for part 21 for different arm poses.



Apply heat to the Graviton Ram Power Cable using a hair dryer or hot air gun (Submerging the part in hot water may also suffice) until they are flexible enough to allow the elbow to be connected.



Graviton Ram

