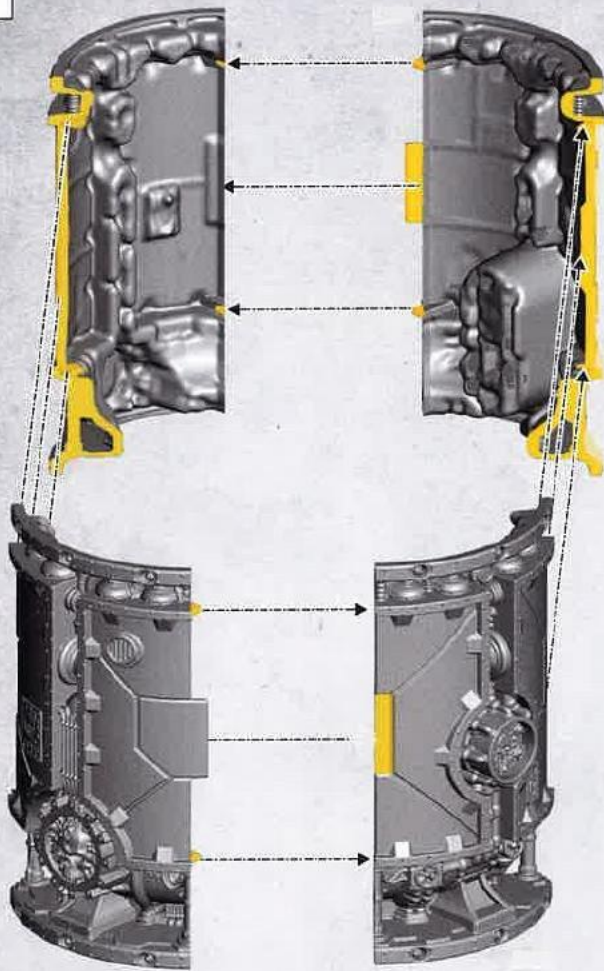




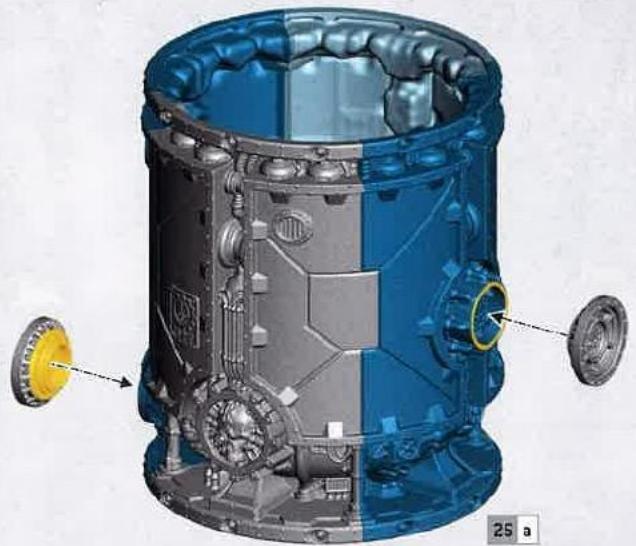
Free Downloads of Build Instructions,
Assembly Booklets & How To Guides

BuildInstructions.com

25

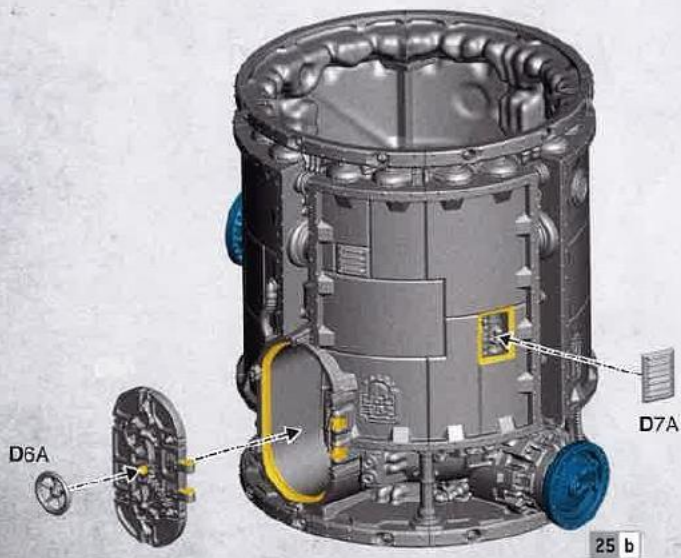


25 b



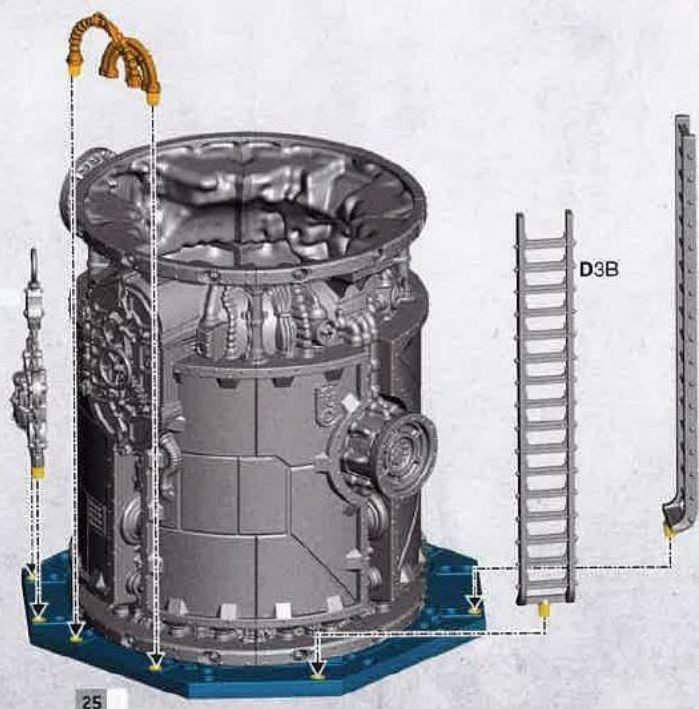
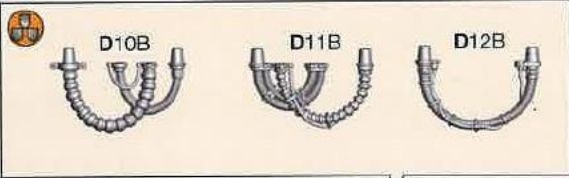
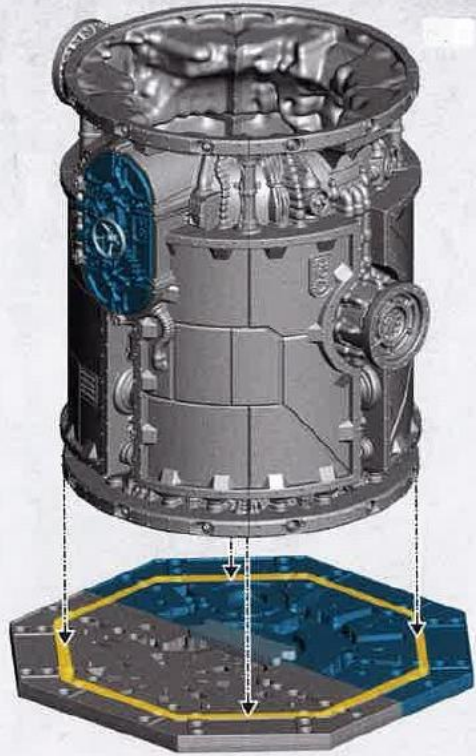
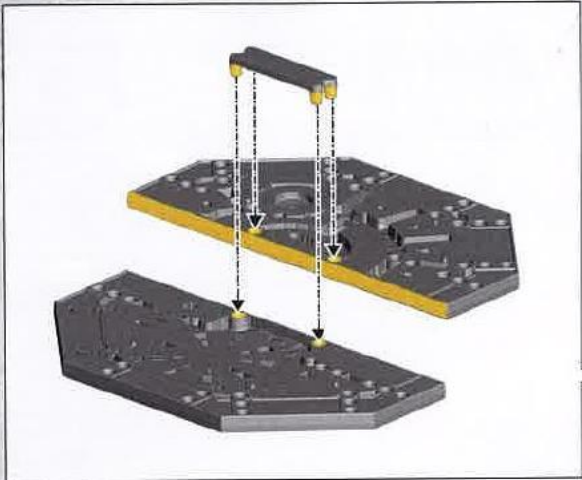
25 a

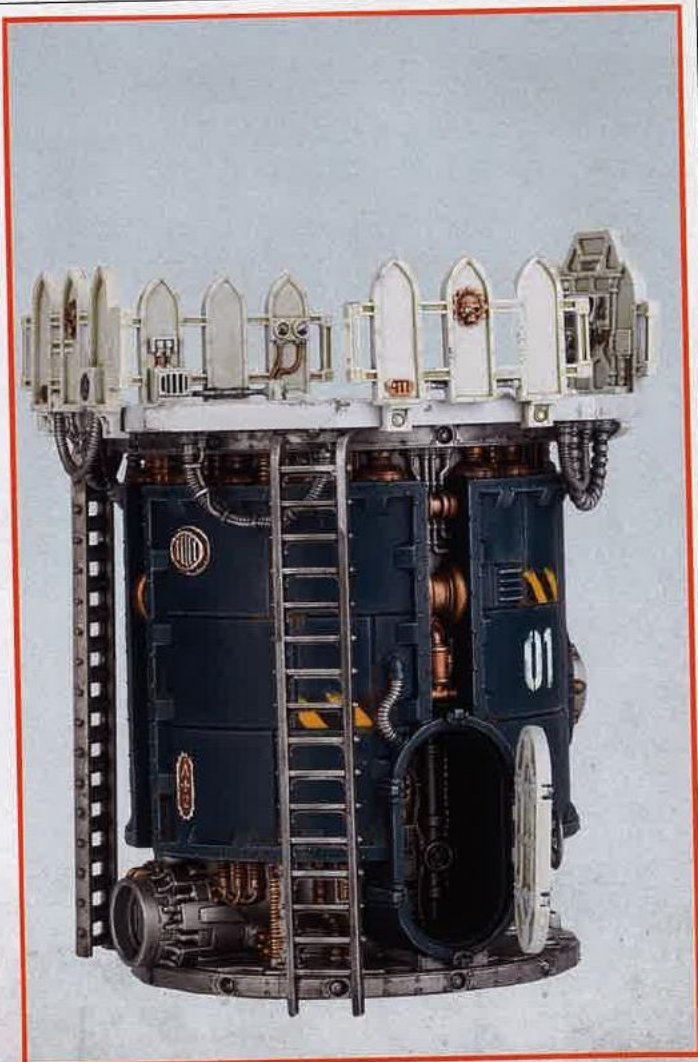
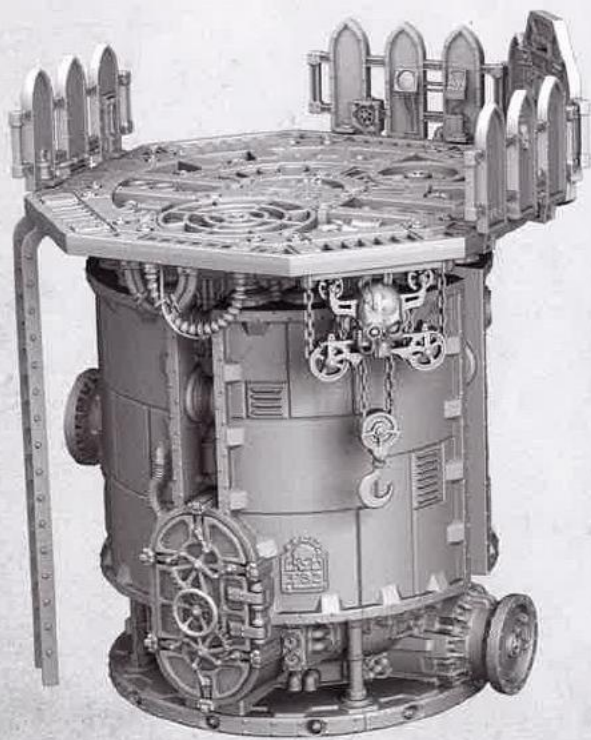
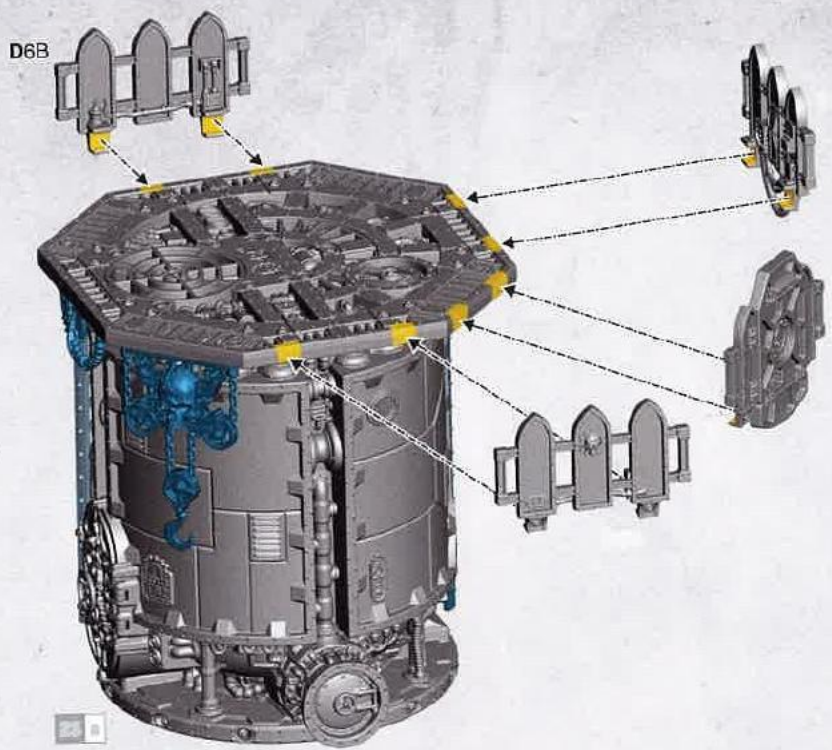
25 c



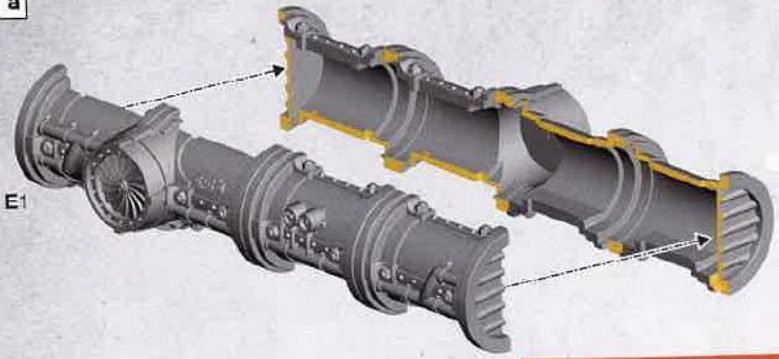
25 b



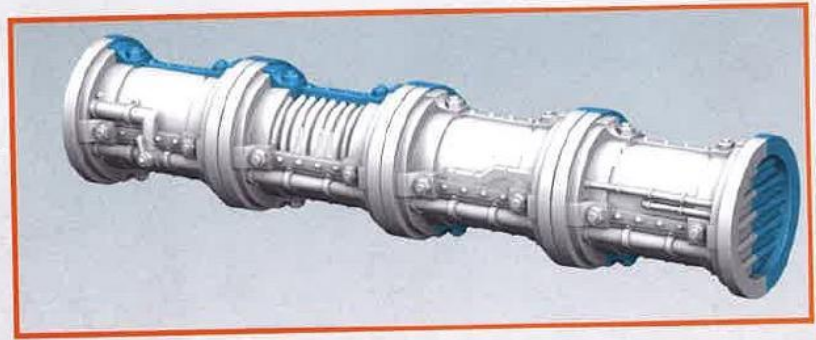
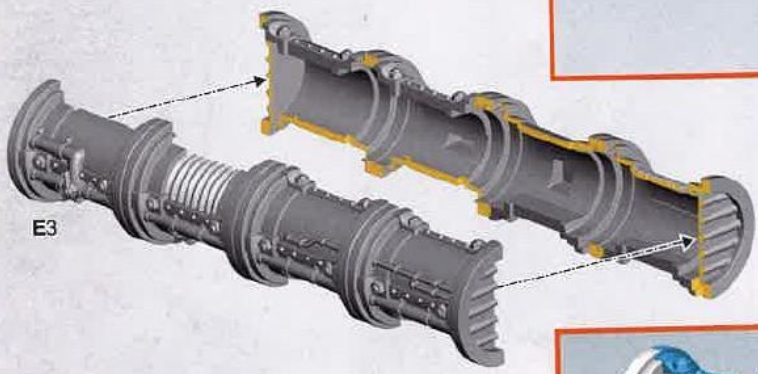




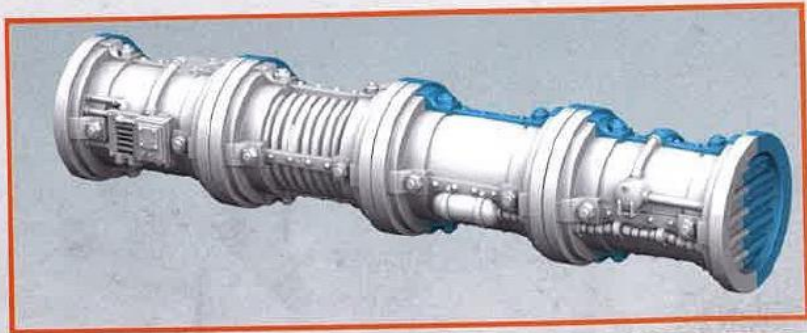
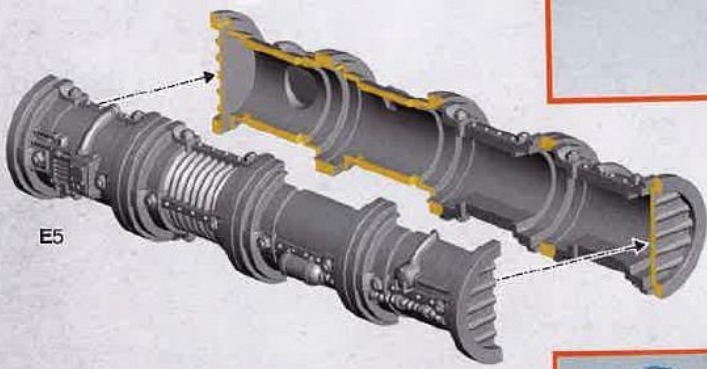
26 a



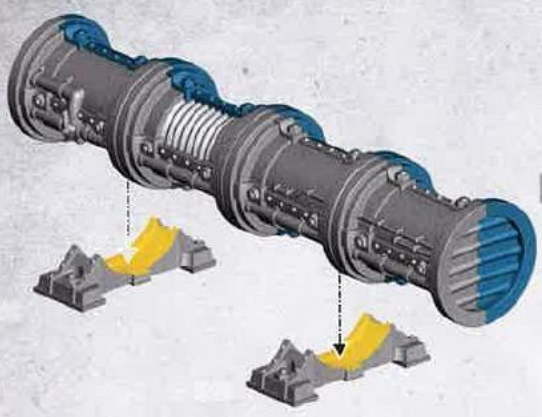
26 b



26 c

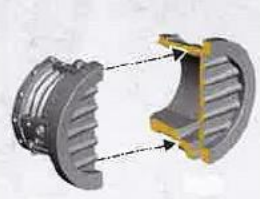


26

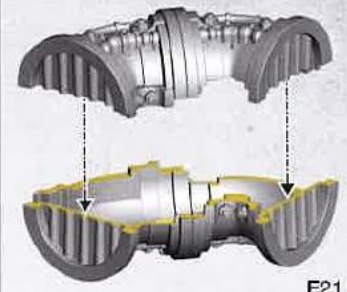


26

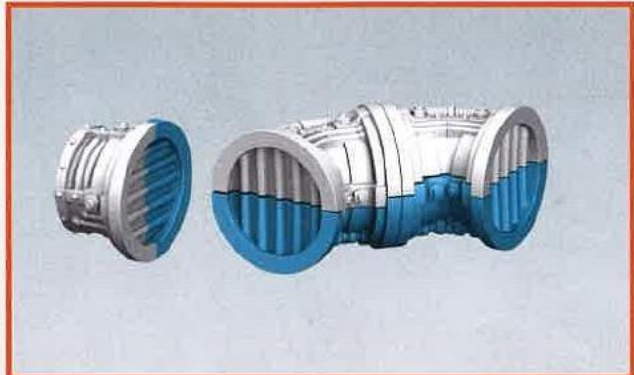
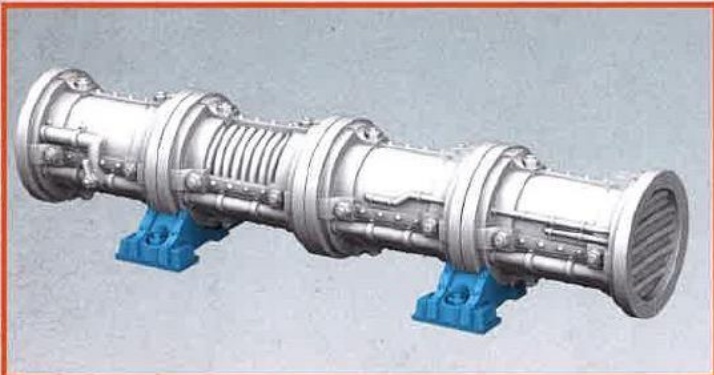
26 e



26 f



E21

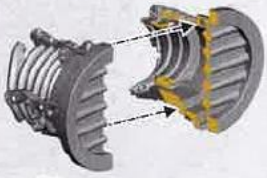


27

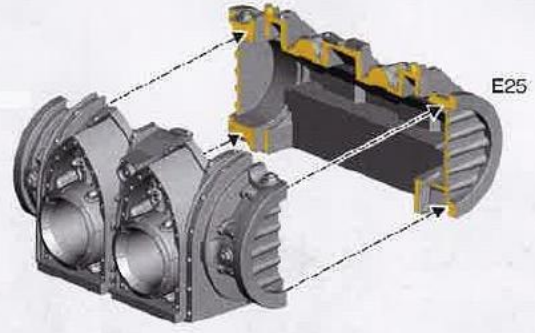
POWER RELAY SUBSTATION

RELAIS DE PUISSANCE | SUBESTACION DE ENERGIA | LEISTUNGSRELAIS-SCHALTSTATION
 SOTTOSTAZIONE DI SCAMBIO ENERGETICO | 変電設備 | 能量中継站

27 a



27 c

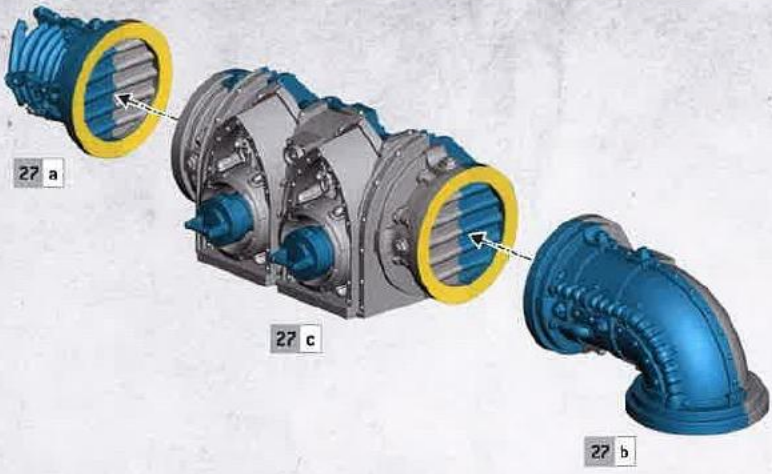


E25

27 b



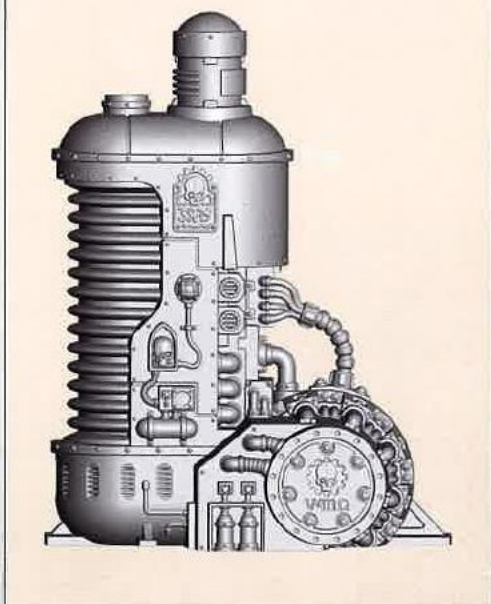
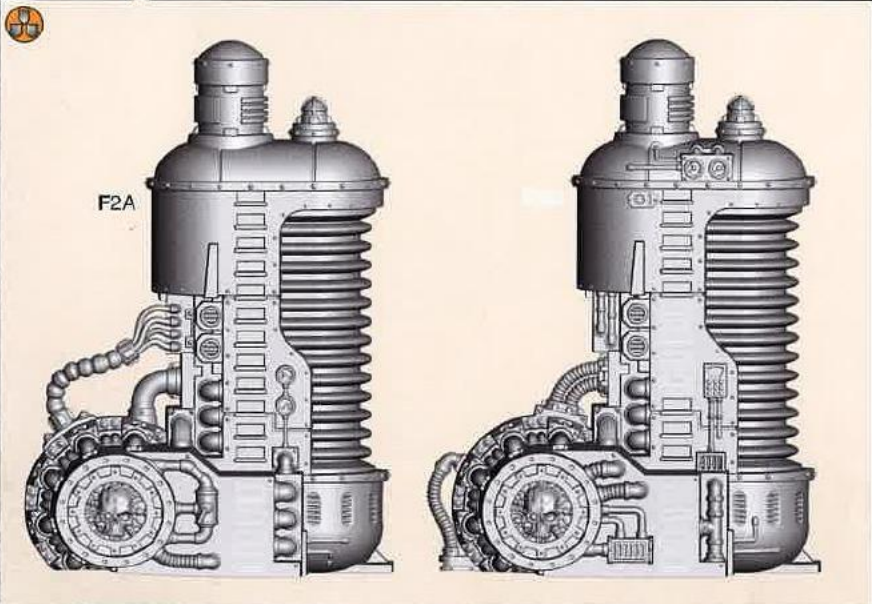
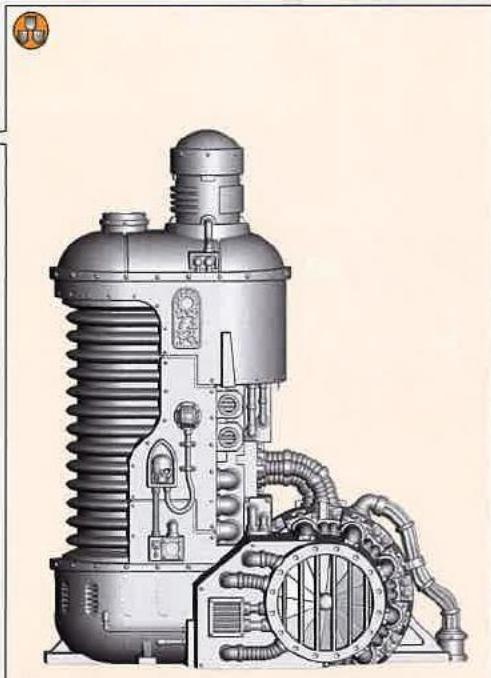
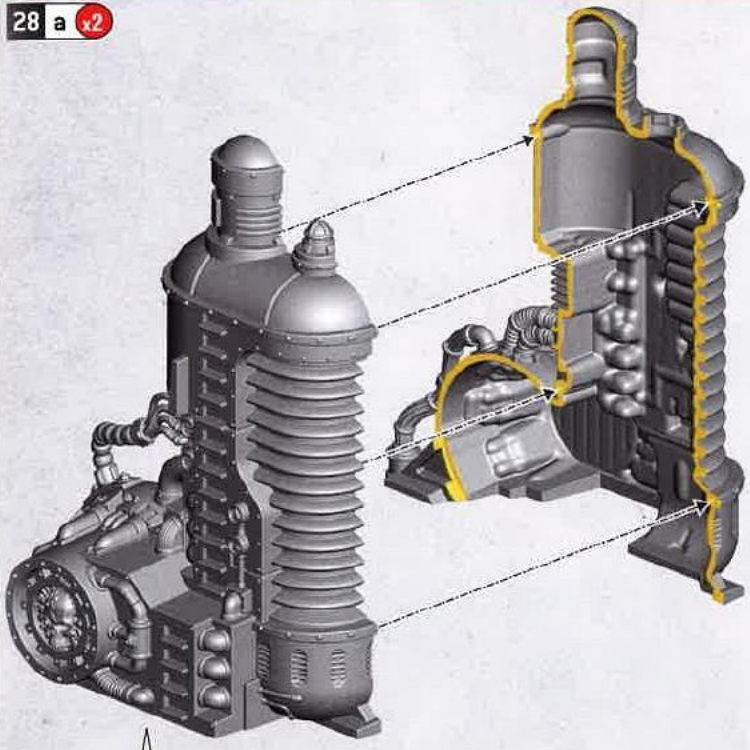
27 d



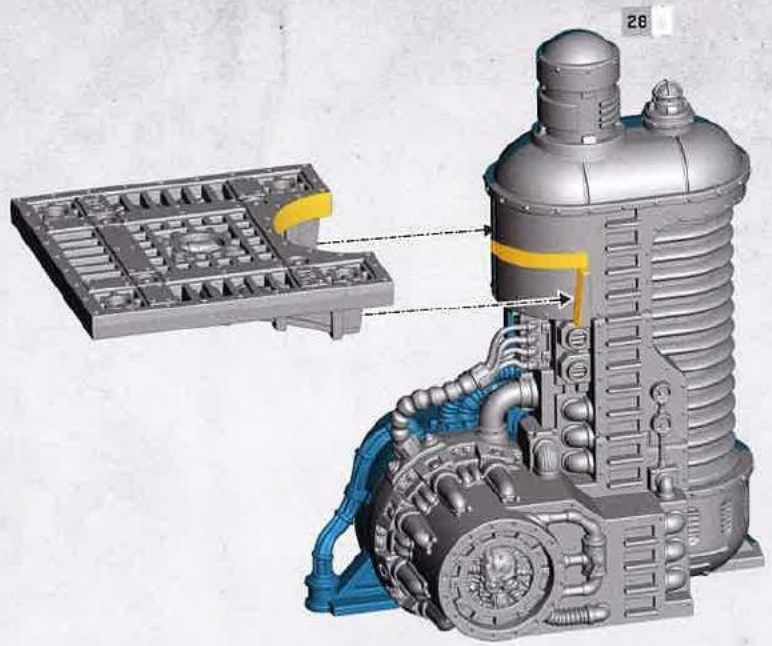
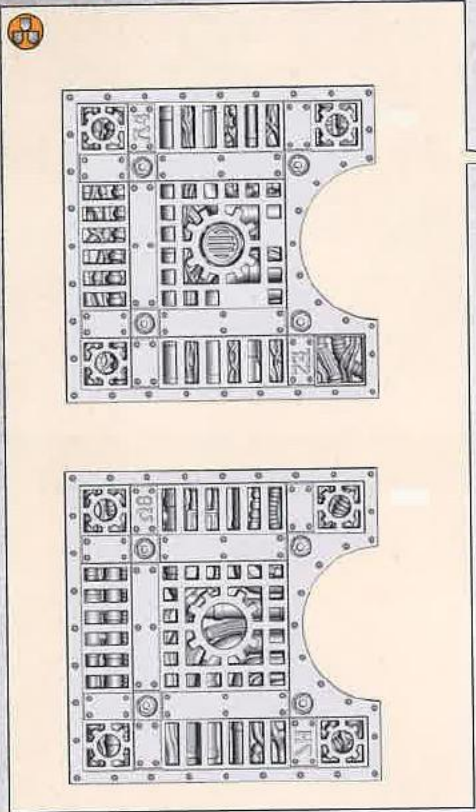
28 THERMIC PLASMA REGULATOR

RÉGULATEURS DE THERMO-PLASMA | TERMORREGULADORES DE PLASMA | THERMISCHE PLASMAREGULATOREN
 TERMOREGOLATORI DEL PLASMA | 熱媒プラズマ調整器 | 熱媒等電子調整器

28 a x2

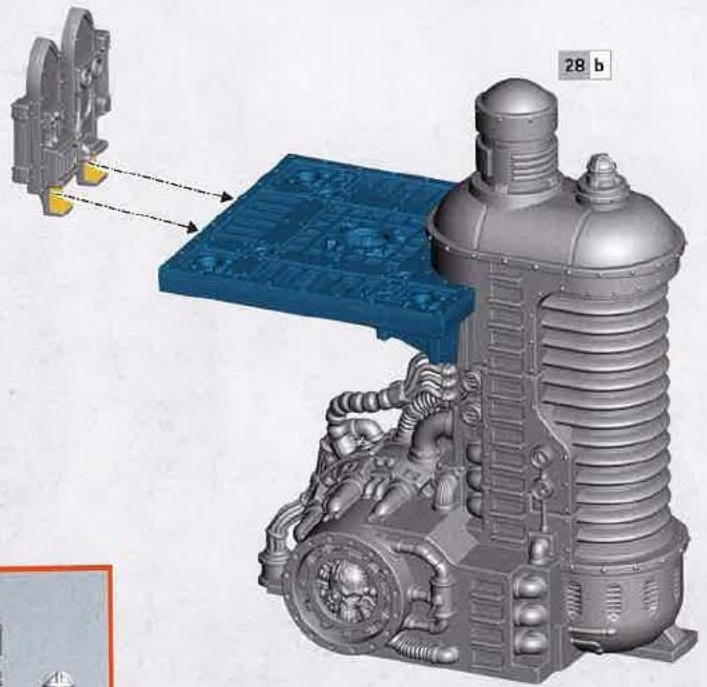
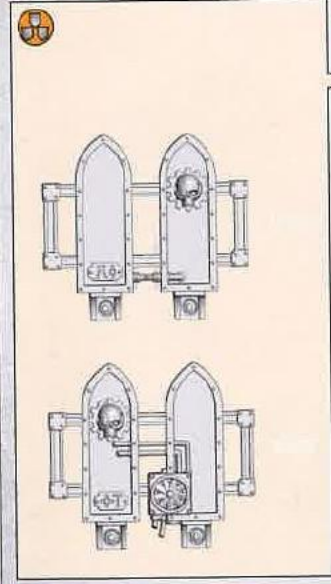


28 **x2**

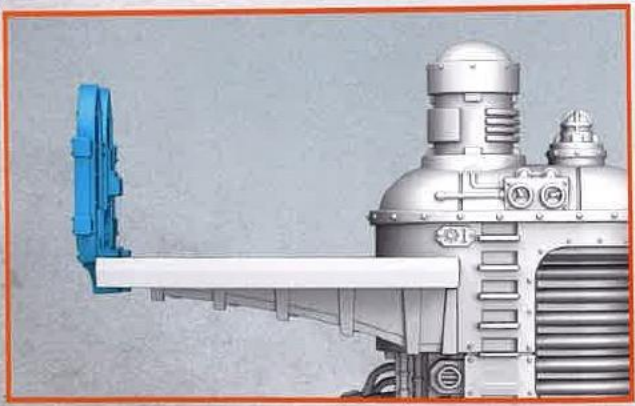


28

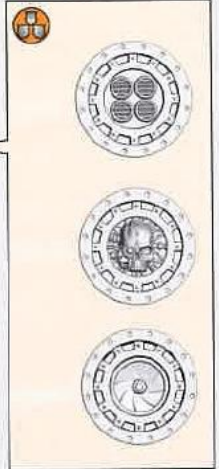
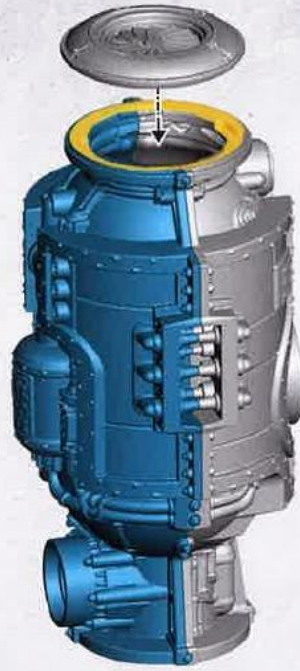
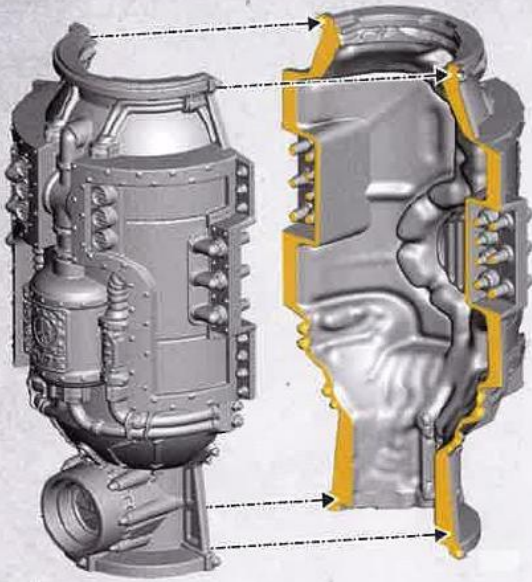
28 c **x2**



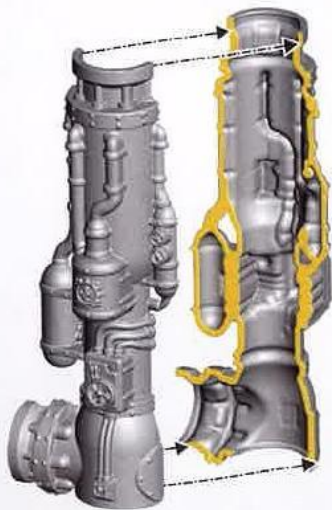
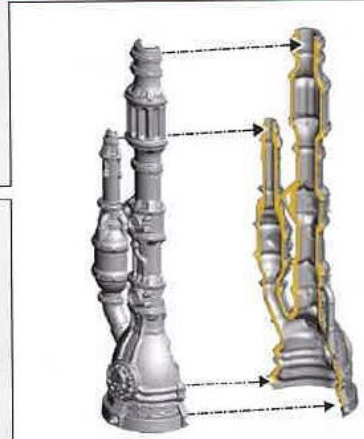
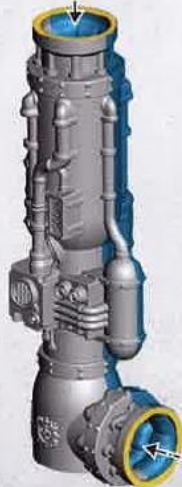
28 b



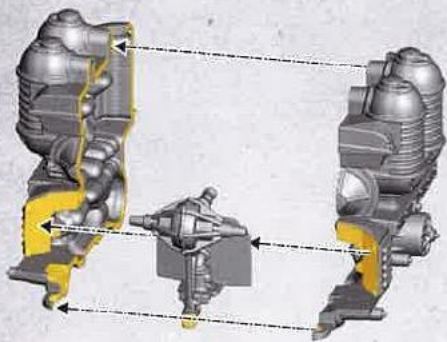
29 x2



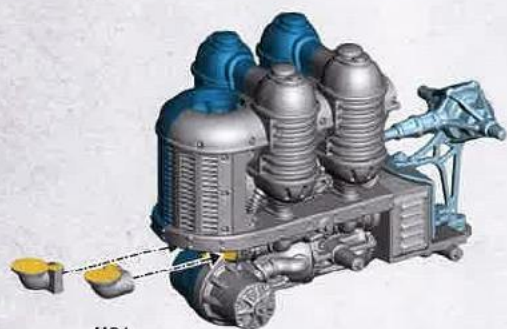
30 x2



31

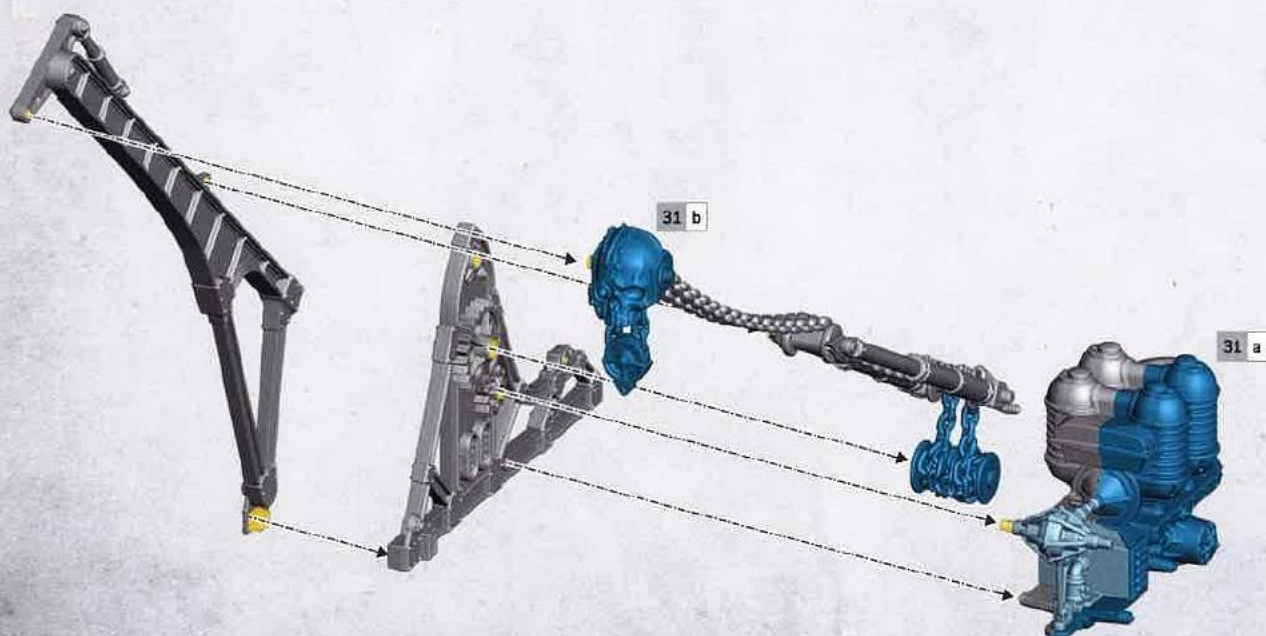


31 b

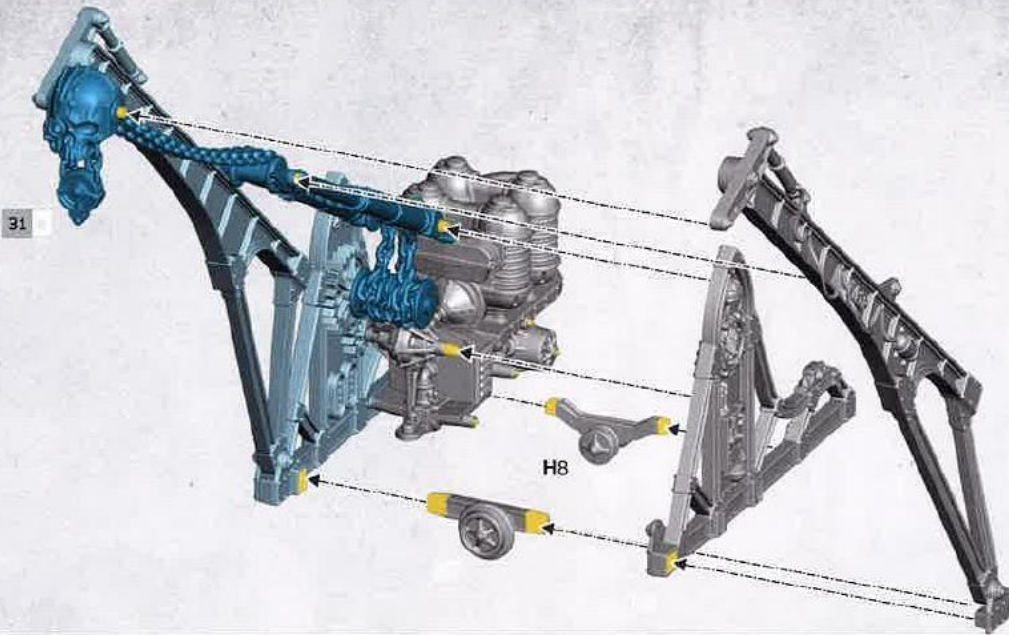


H21

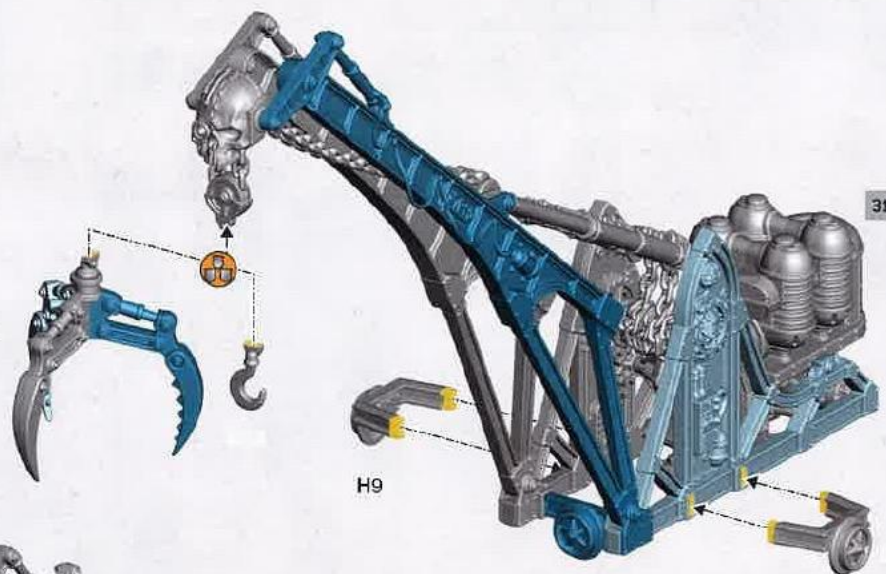
31 c



31 d



31 e



31 f

