



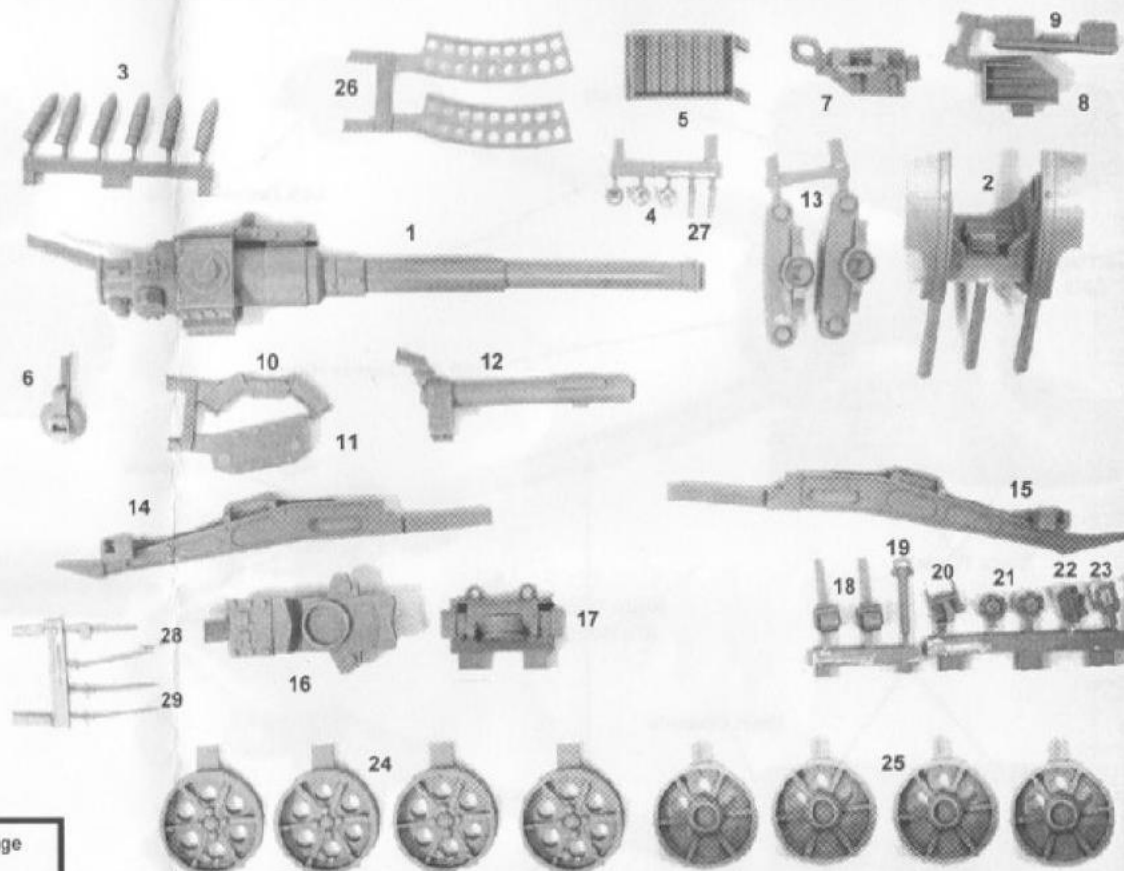
Free Downloads of Build Instructions,  
Assembly Booklets & How To Guides

[BuildInstructions.com](http://BuildInstructions.com)

## HEAVY ARTILLERY CARRIAGE WITH EARTHSHAKER CANNON

### COMMON COMPONENTS LIST

- |                            |                             |
|----------------------------|-----------------------------|
| 1. Earthshaker Cannon      | 21. Bogie Pivots (x2)       |
| 2. Gun Shield              | 22. Trojan Tow Hitch        |
| 3. Earthshaker Shells (x6) | 23. Trojan Crane Hook       |
| 4. Handles (x3)            | 24. Outer Wheels (x4)       |
| 5. Shell Pallet            | 25. Inner Wheels (x4)       |
| 6. Breech Door             | 26. Caster Channels (x2)    |
| 7. Right Recoil Spade      | 27. Channel Mount Pins (x2) |
| 8. Left Recoil Spade       | 28. Tools (x2)              |
| 9. Trojan Tow Bar          | 29. Jack Levers (x2)        |
| 10. Gun Traverse Runner    |                             |
| 11. Trail Arm Lower Hinge  |                             |
| 12. Recoil Dampener        |                             |
| 13. Bogies (x2)            |                             |
| 14. Right Trail Arm        |                             |
| 15. Left Trail Arm         |                             |
| 16. Main Chassis           |                             |
| 17. Carriage Axle          |                             |
| 18. Trail Casters (x2)     |                             |
| 19. Trail Pin              |                             |
| 20. Barrel Support         |                             |



This kit contains all the pieces required to produce an Heavy Artillery Carriage with Earthshaker Cannon

To glue the resin pieces together use Citadel Super Glue.

**NOTE:** We have cast this kit using the most advanced techniques and the best quality resin, but due to the nature of the casting process your model may contain very slight air bubbles. These can easily be filled with model filler or super glue. Any slight warpage of thin parts can easily be corrected by immersing the part in hot tap water for about 1 minute then carefully bending it back into shape.

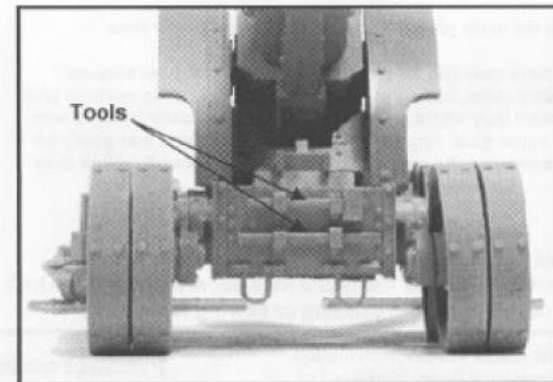
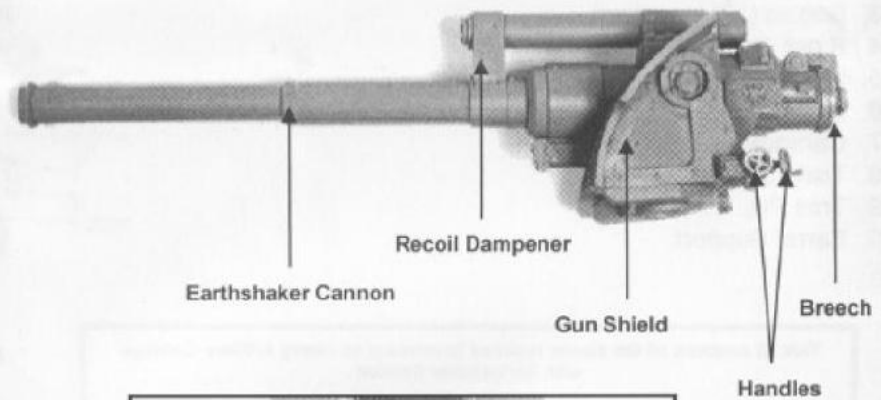
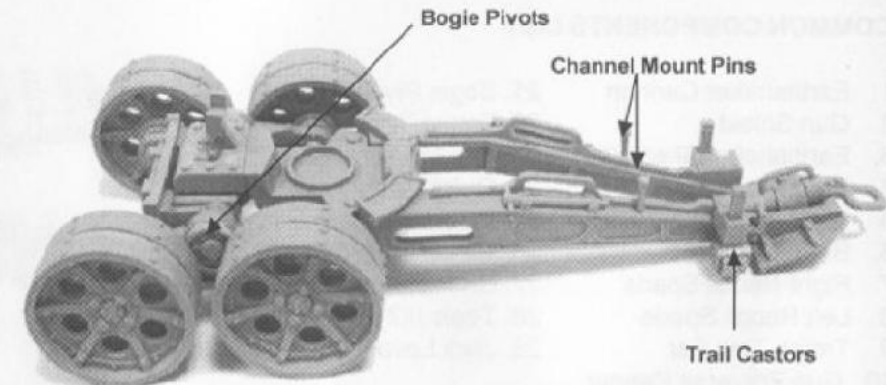
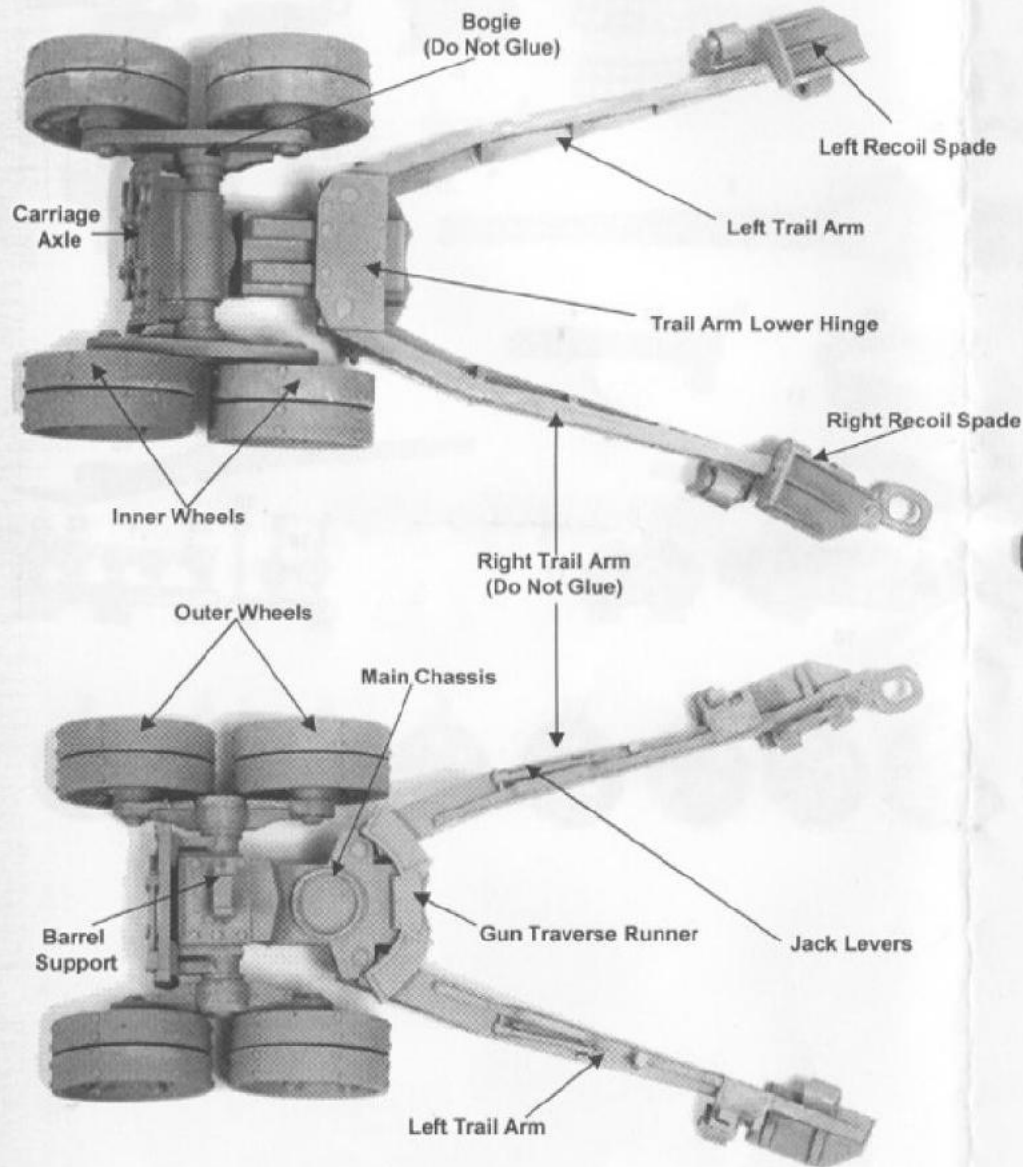
#### THIS IS NOT A TOY

Not suitable for children under 15 years of age.

**WARNING:** Resin dust can be harmful if inhaled. Always wear a dust mask or respirator when sanding or sawing resin parts.

# IMPERIAL™ ARMOUR

## HEAVY ARTILLERY CARRIAGE WITH EARTHSHAKER CANNON



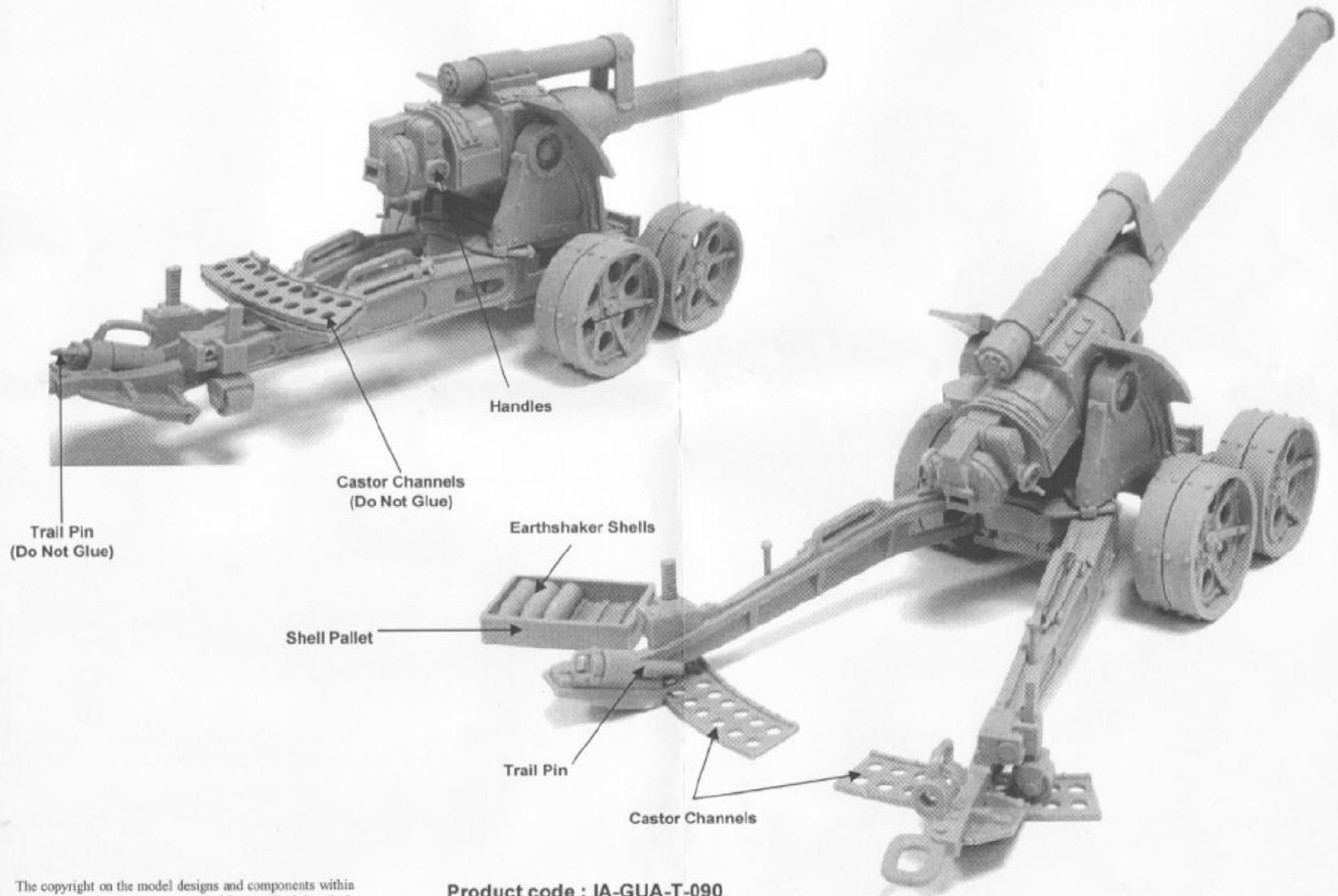
The copyright on the model designs and components within this box is the exclusive property of Games Workshop Ltd. Copyright Games Workshop Ltd., 2007. All rights reserved.

Product code : IA-GUA-T-090

Forge World, Games Workshop, Willow Road, Lenton, Nottingham, NG7 2WS, UK. Tel. 0044 (0)115 916 8177

**IMPERIAL<sup>TM</sup>**  
**ARMOUR**

# HEAVY ARTILLERY CARRIAGE WITH EARTHSHAKER CANNON



The copyright on the model designs and components within this box is the exclusive property of Games Workshop Ltd. Copyright Games Workshop Ltd., 2007. All rights reserved.

Product code : IA-GUA-T-090

Forge World, Games Workshop, Willow Road, Lenton, Nottingham, NG7 2WS, UK. Tel. 0044 (0)115 916 8177