

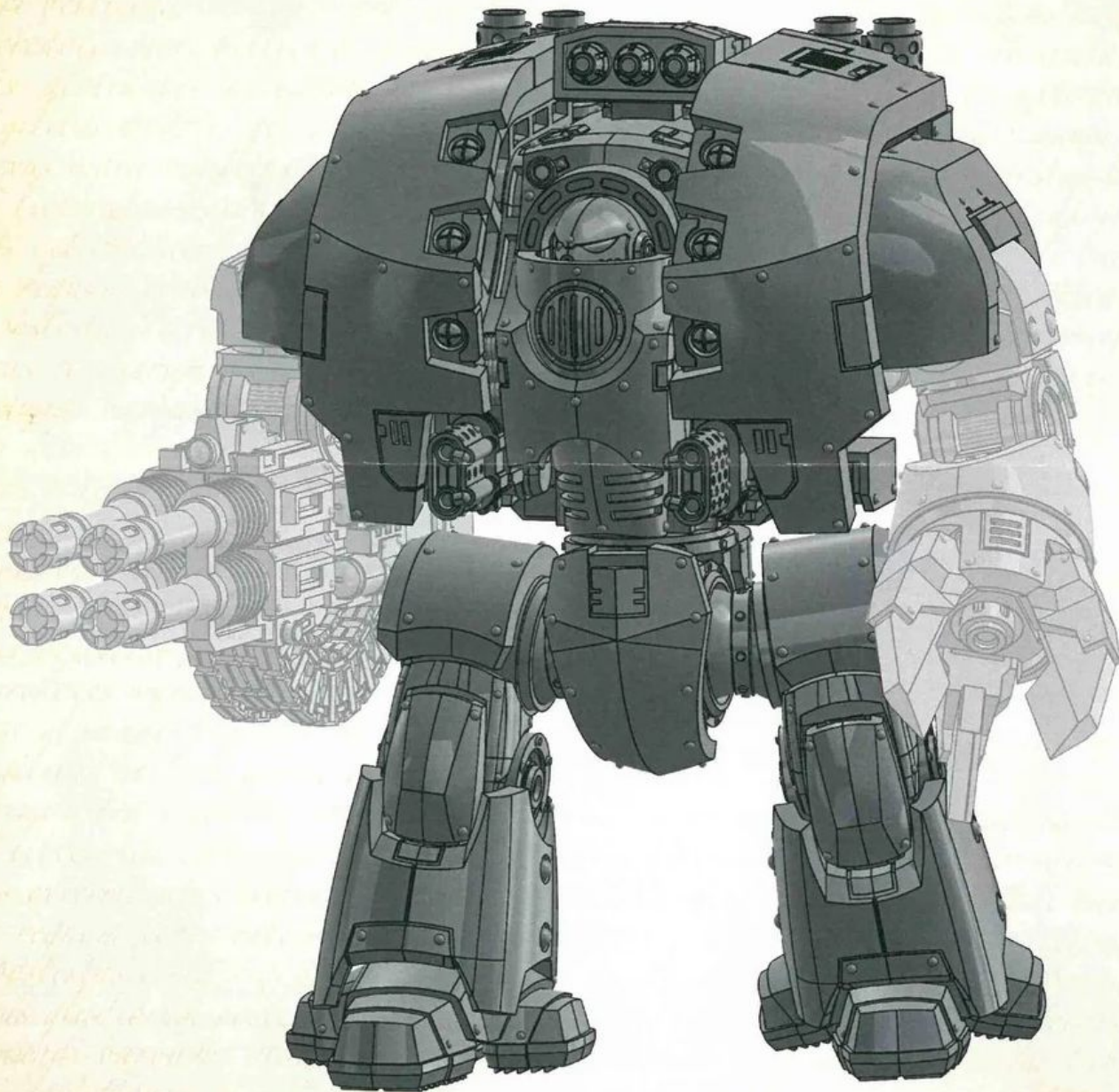


Free Downloads of Build Instructions,
Assembly Booklets & How To Guides

BuildInstructions.com

LEVIATHAN DREADNOUGHT BODY

Developed in the highest degree of secrecy, not on Mars but on Terra, the Leviathan pattern Dreadnought represents an alternative development of the highly successful Contemptor design. It represents a hybrid of technologies, some of which it is believed date back to the Age of Strife, while other rumours suggest it was created by the hand of the Emperor directly. Regardless of its origins, the resources required to produce a Leviathan Dreadnought are immense, equal perhaps even to an Imperial Knight.



THIS IS NOT A TOY

Not suitable for children under 15 years of age.

WARNING: Resin dust can be harmful if inhaled. Always wear a dust mask or respirator when sanding or sawing resin parts.

www.forgeworld.co.uk



Components

Before assembly, check that none of the components are missing.

1. Right Exhaust
2. Phosphex Bomb Launcher
3. Upper Body
4. Rear Body
5. Left Exhaust
6. Right Shoulder
7. Right Body
8. Head
9. Lower Body
10. Left Body
11. Left Shoulder
12. Right Volkite Calivers
13. Left Volkite Calivers
14. Right Heavy Flamer
15. Left Heavy Flamer
16. Waist
17. Right Hip
18. Groin
19. Left Hip
20. Knee x2
21. Right Leg
22. Left Leg
23. Flat Foot
24. Bent Foot



Assembly Legend

Shim to be Removed



Parts for Assembly



Note



Optional Assembly



Glue Contact Area



Preparing the Model for Assembly

Before assembling the model, wash each part thoroughly with an abrasive brush, such as a toothbrush, to remove any model release agent that may still be on the surface of the parts. Then, remove any excess resin such as mould lines, casting gates, vents and shims. For a more detailed guide to working with resin models, go to the Downloads section of the Forge World website.

This kit contains all the pieces required to construct a Leviathan Dreadnought Body. To glue the resin pieces together, use Citadel Super Glue.

NOTE: We have cast this kit using the most advanced techniques and the best quality resin, but due to the nature of the casting process, your model may contain small air bubbles. These can easily be filled with model filler or super glue. Any slight warpage of thin parts can easily be corrected by immersing the part in hot tap water for about 1 minute, then carefully bending it back into shape.

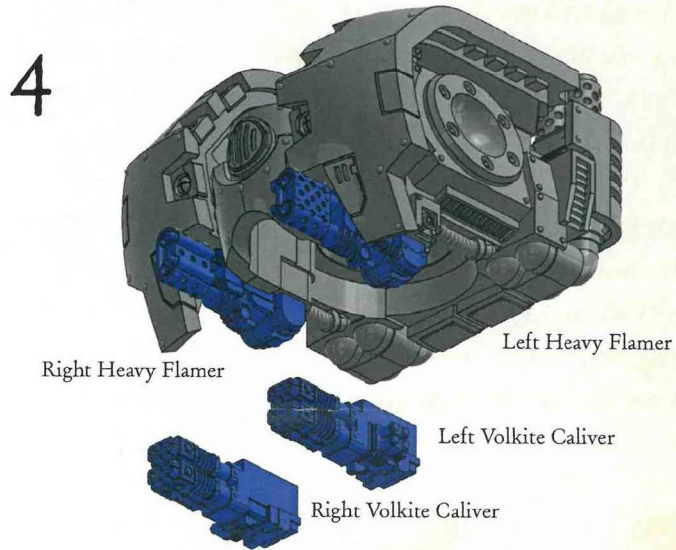
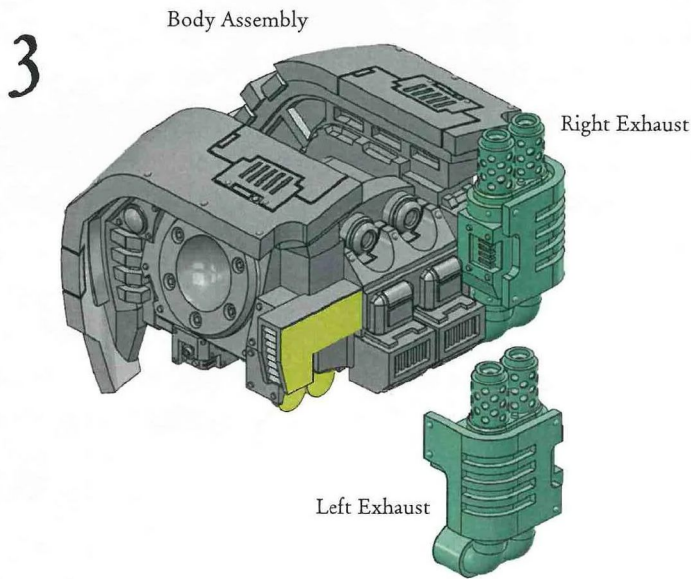
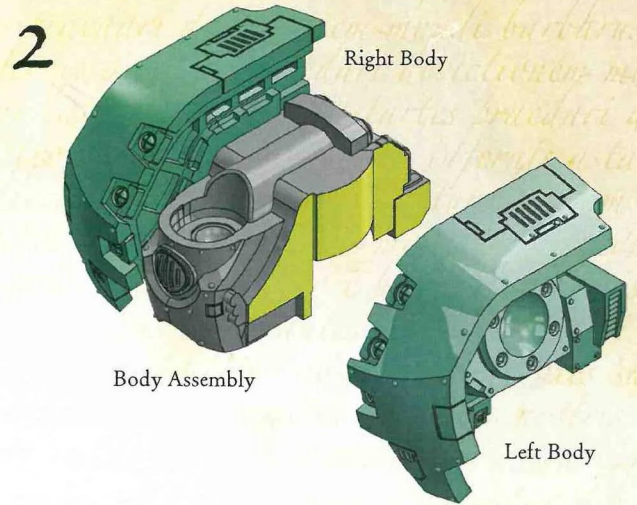
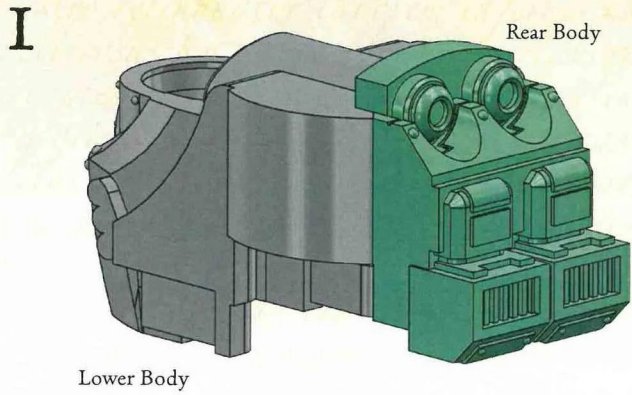
If you need to contact the Forge World Customer Service team regarding this model, you can get in touch via email - forgeworld@gwplc.com - or call:

0115 900 4995 within the UK

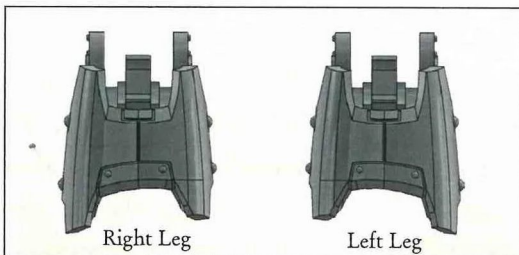
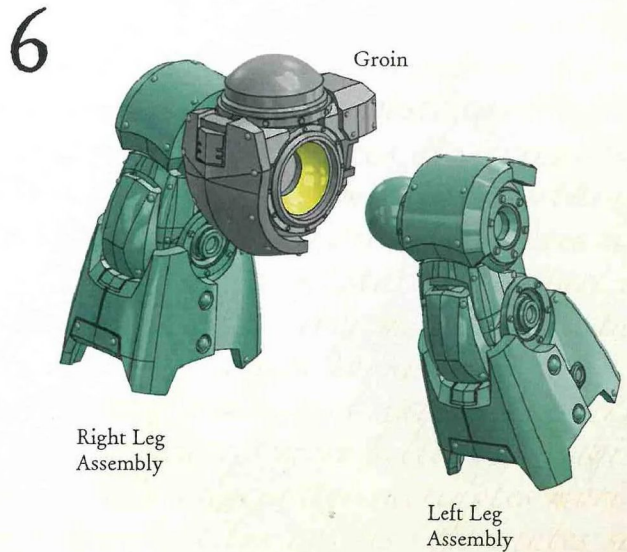
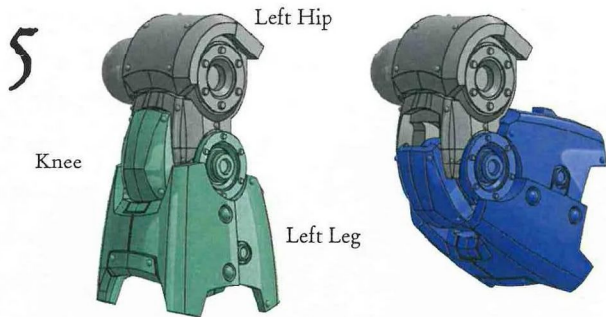
011 44 115 900 4995 from the USA and Canada

0011 44 115 900 4995 from Australia

011 44 115 900 4995 from Europe and the rest of the world.



! For the chest weapons on the Leviathan Dreadnought, you have the options of either two twin-linked Volkite Calivers or two Heavy Flamers.



! The Left or Right Legs and Knee can be positioned according to the pose desired. Repeat step 5 for the Right Leg. Check the outer edge of each leg as it should taper towards the Knee.

7

Leg Assembly

Flat Foot

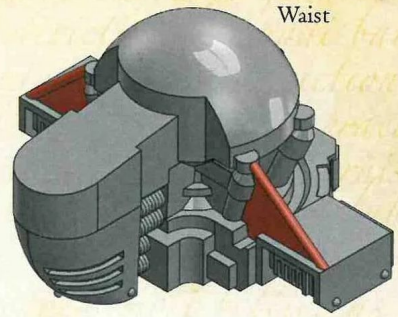


Stepping Foot



8

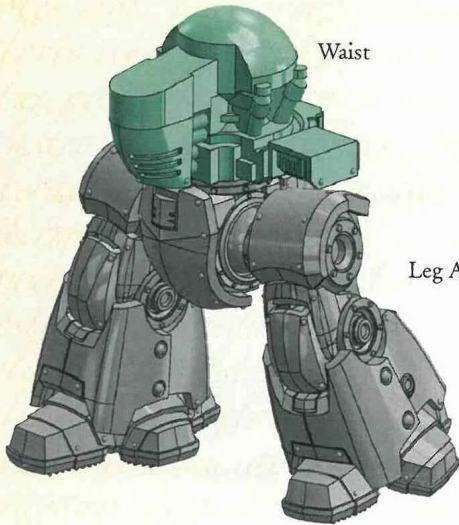
Waist



Remove the two indicated shims from the waist using a modelling knife.

9

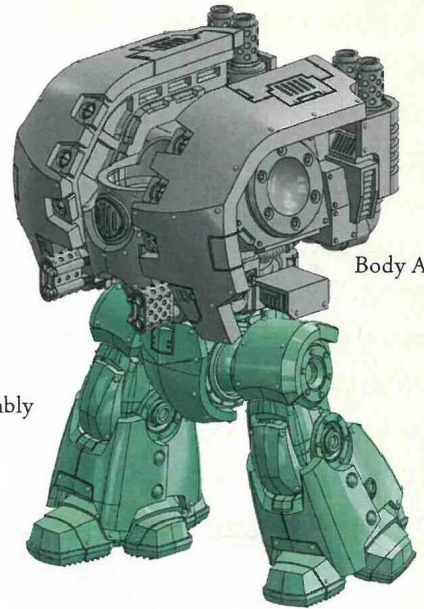
Waist



Leg Assembly

10

Body Assembly



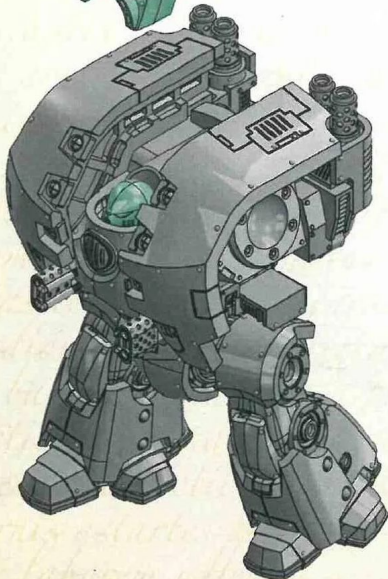
Leg Assembly

11

Upper Body

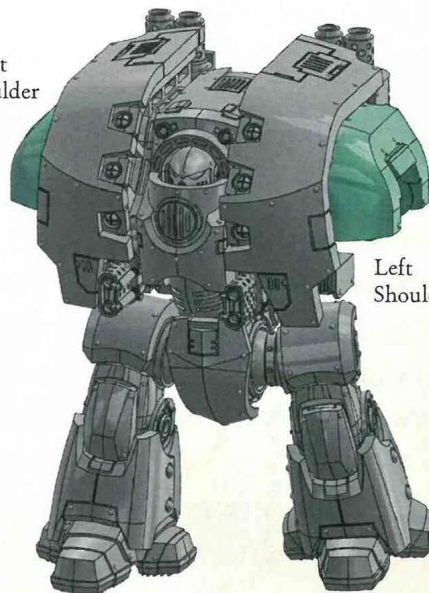


Head



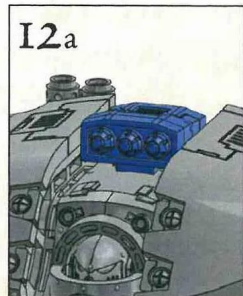
12

Right Shoulder



Left Shoulder

12a



An optional Phosphex Bomb Launcher can be added to the Upper Body.