



Free Downloads of Build Instructions,  
Assembly Booklets & How To Guides

**BuildInstructions.com**

# HOW TO BUILD

## DOMINION OF SIGMAR STATUE

This build guide shows you how to assemble your new terrain piece, the Dominion of Sigmar Statue. Follow the guide carefully in order to assemble all three models in this kit.



### CLIPPER AND GLUE SAFETY

To remove your models from their sprues, you will need a set of modelling clippers. Games Workshop sells a set of clippers specially designed for this job, with flat-edged blades. You must follow all the instructions and guidance provided with the clippers.

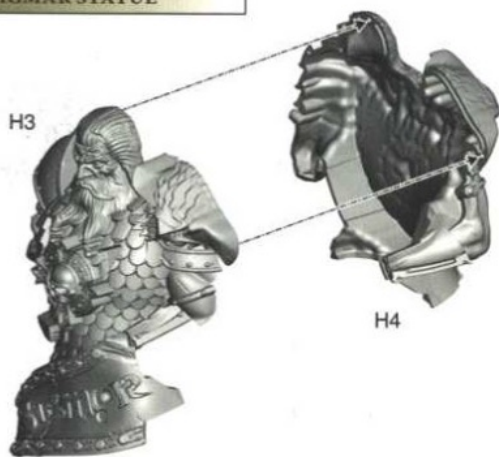


Hold your clippers like so, with your fingers cushioning one arm and your thumb to apply pressure on the other. To cut a component from the sprue, gently squeeze until the blades meet.



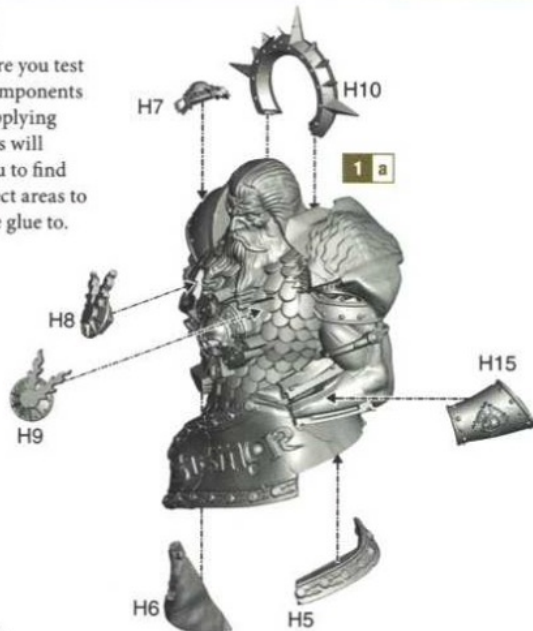
Test fit components to ensure you are assembling them correctly before you apply any glue. Do not apply too much glue as it may melt or obscure details. Use the glue in a well-ventilated area.

#### 1 a SIGMAR STATUE



#### 1 b

Make sure you test fit the components before applying glue. This will allow you to find the correct areas to apply the glue to.



#### 1 c

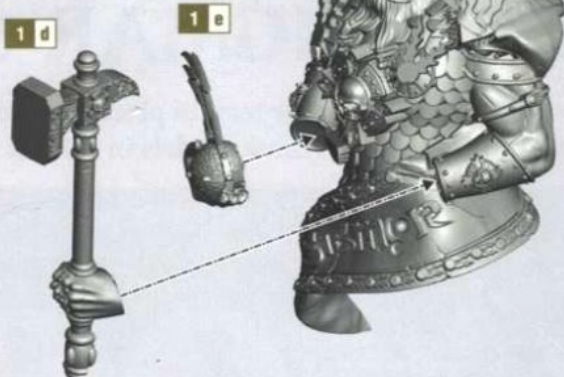
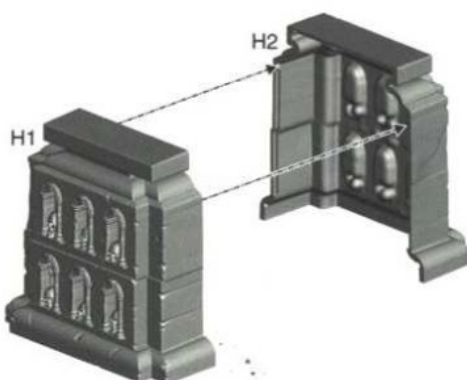
#### 1 b

Stick the two halves of the bracer together and allow the glue to set for a minute before applying it to the statue.



**1 d****1 f**

Hold these components in place for approximately thirty seconds whilst the glue sets.

**1 g****1 f****1 e**

Make sure you align the statue with the plinth correctly before you begin applying glue.

**2****3**

Stick the two halves of each brazier together and allow the glue to set. When the glue has dried, you can then glue the flames into each brazier at the top of each model.