

Free Downloads of Build Instructions,
Assembly Booklets & How To Guides

BuildInstructions.com

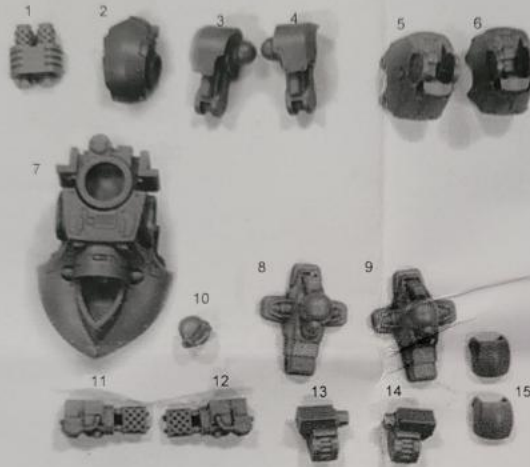
IMPERIAL™ ARMOUR

DEREDEO PATTERN DREADNOUGHT BODY

Product code : 99590101411

RESIN COMPONENTS LIST

1. Exhausts
2. Hip
3. Right Upper Leg
4. Left Upper Leg
5. Right Lower Leg
6. Left Lower Leg
7. Torso
8. Braced Right Foot
9. Braced Left Foot
10. Head
11. Right Heavy Flamer
12. Left Heavy Flamer
13. Right Heavy Bolter
14. Left Heavy Bolter
15. Knee x2



RESIN COMPONENTS LIST (Sold Separately)

- 1a. Right Ammo Box
- 2a. Left Ammo Box
- 3a. Right Ammo Feed
- 4a. Left Ammo Feed
- 5a. Right Gun Mount
- 6a. Left Gun Mount
- 7a. Right Anvilus Autocannon
- 8a. Left Anvilus Autocannon

This kit contains all the pieces required to make a Deredeo Pattern Dreadnought Body
(Weapons shown are examples for construction)
To glue the resin pieces either together or to plastic components use Citadel
Super Glue.

NOTE: We have cast this conversion kit using the most advanced techniques and the best quality resin, but due to the nature of the casting process your model may contain very slight air bubbles. These can easily be filled with model filler or super glue. Any slight warpage of thin parts can easily be corrected by immersing the part in hot tap water for about 1 minute then carefully bending it back into shape.

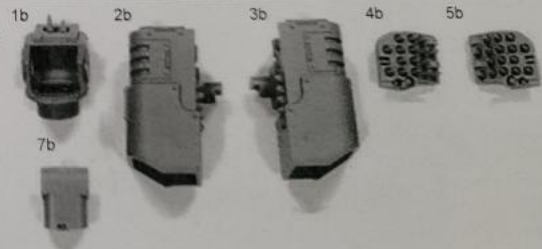
THIS IS NOT A TOY

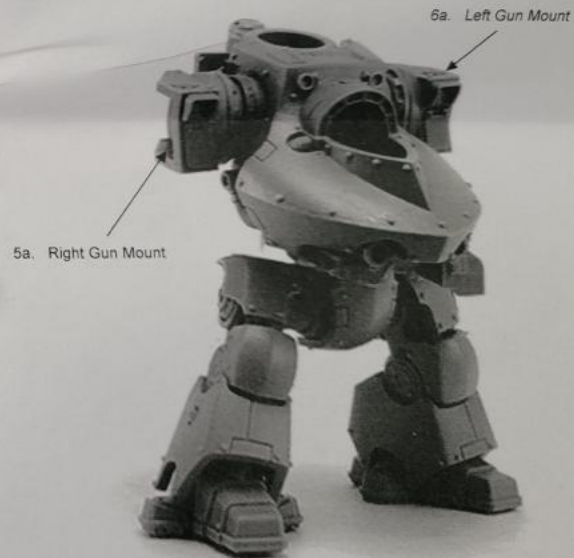
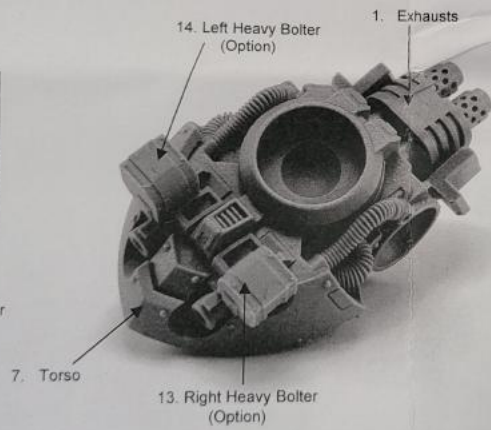
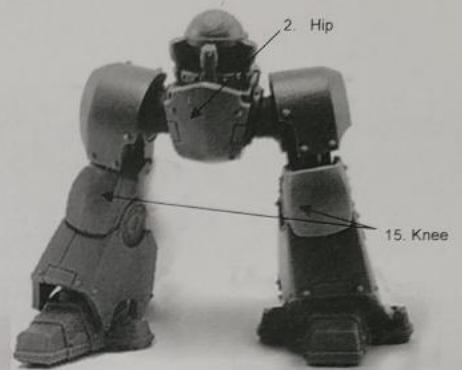
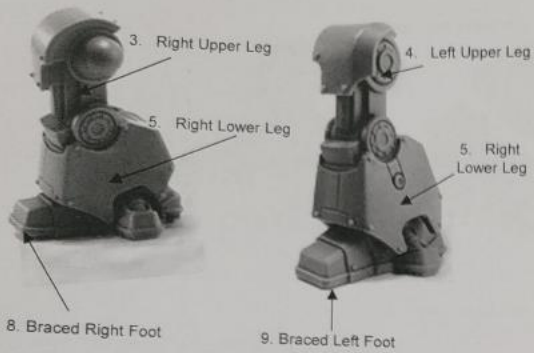
Not suitable for children under 15 years of age.

WARNING: Resin dust can be harmful if inhaled. Always wear a dust mask or respirator when sanding or sawing resin parts.

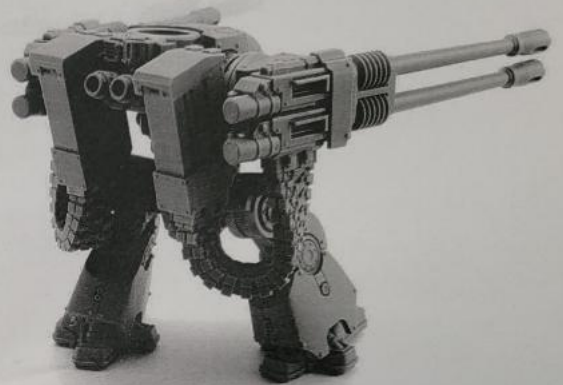
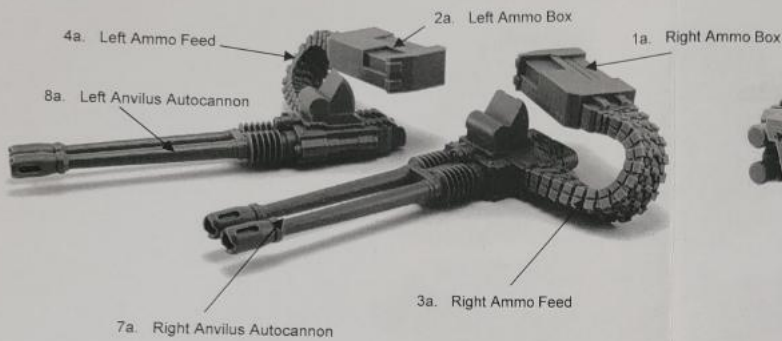
RESIN COMPONENTS LIST (Sold Separately)

- 1b. Aiolos Turret
- 2b. Right Aiolos Launcher
- 3b. Left Aiolos Launcher
- 4b. Right Missiles
- 5b. Left Missiles
- 7b. Aiolos Targetter

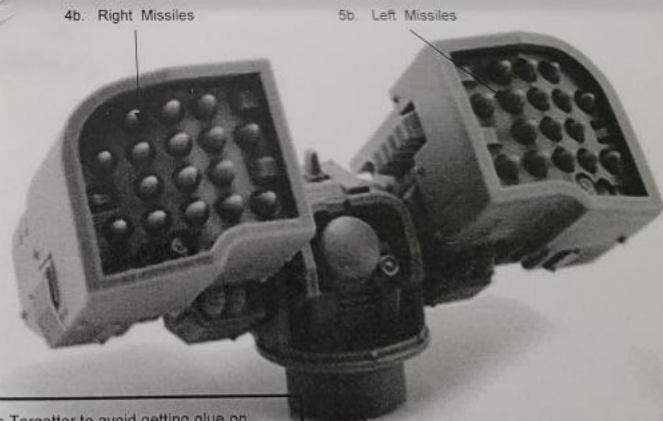
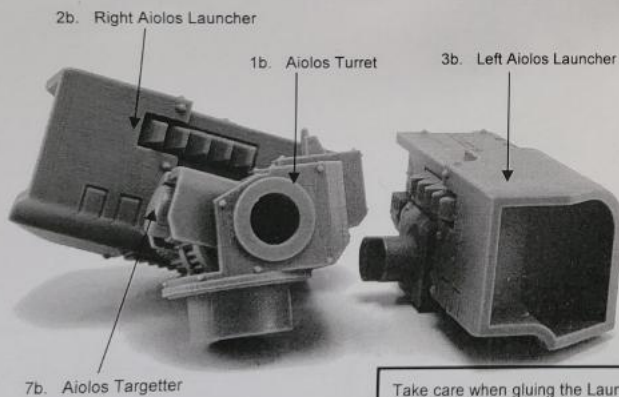




You have the option to use either two Heavy bolters or two heavy flamers for the Torso weapons.



Assemble the weapons, ammo feeds and ammo supply separate from the model. As supplied, the weapons will point straight forward. To adjust the pose, carefully heat the ammo feed using either a hair dryer or immersing it in hot water. While the ammo feed is flexible hold the weapon assembly in place on the model. Once it has cooled it can be glued in place



Take care when gluing the Launchers to the Targetter to avoid getting glue on the Turret. When assembled the launcher and the Targetter should move as a unit when in the Turret.



10. Head

The example built above uses Heavy Flamer.