



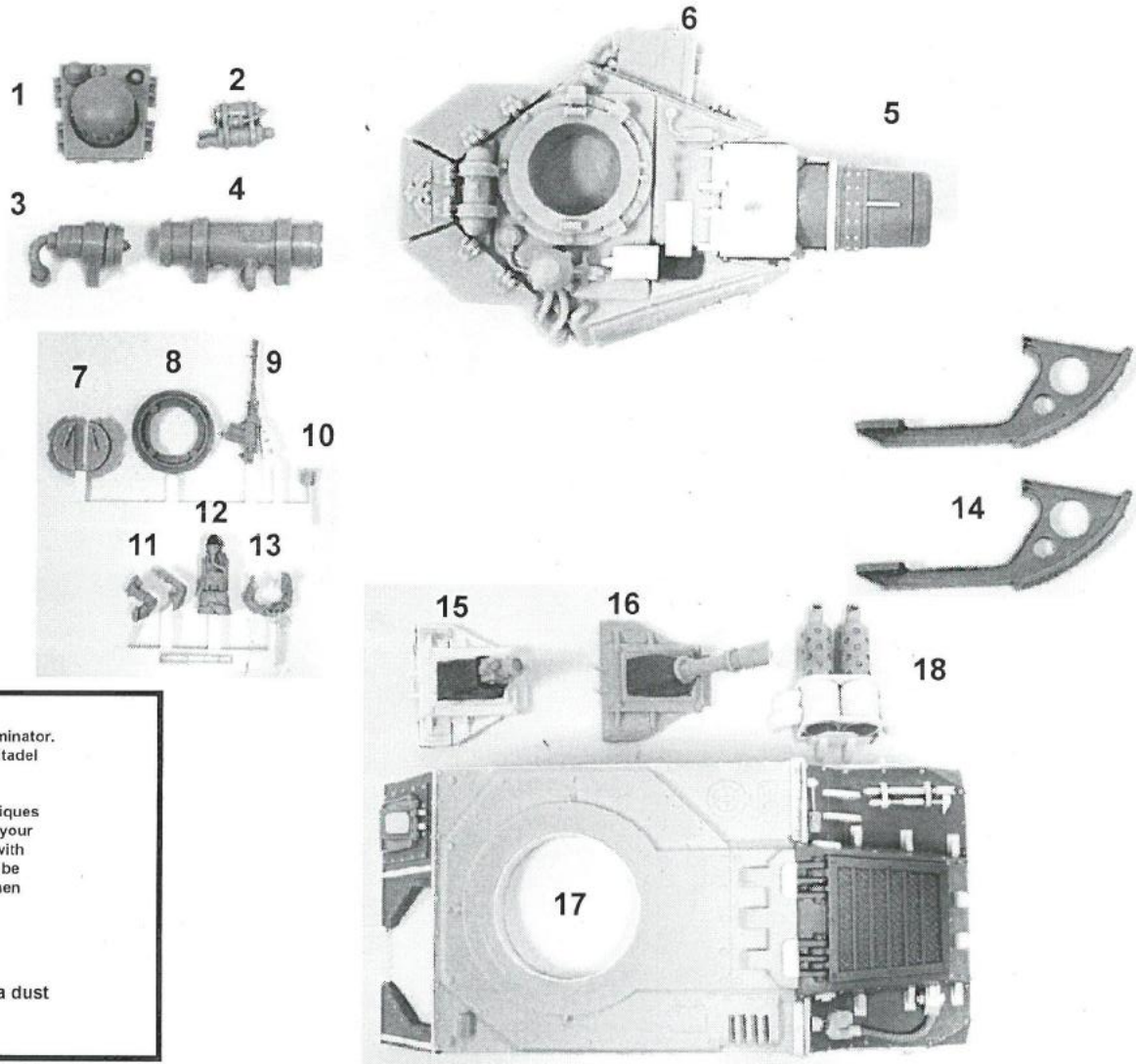
Free Downloads of Build Instructions,
Assembly Booklets & How To Guides

BuildInstructions.com

DEATH KORPS OF KRIEG MARS ALPHA PATTERN LEMAN RUSS DEMOLISHER COMPLETE KIT

RESIN COMPONENTS LIST

1. Filter Component 1
2. Filter Component 2
3. Filter Component 3
4. Filter Component 4
5. Demolisher Cannon
6. Turret
7. Turret Hatches
8. Turret Hatch Ring
9. Heavy Stubber
10. Heavy Stubber Handles (Optional part)
11. Commander Binocular Arms (Optional)
12. Commander
13. Commander Heavy Stubber Arms (Optional)
14. Trench Rails
15. Hull Heavy Bolter (Option)
16. Hull Lascannon (Option)
17. Hull
18. Exhaust



This kit contains all the pieces required to construct the Mars Alpha Exterminator.
To glue the resin pieces either together or to plastic components use Citadel
Super Glue.

NOTE: We have cast this conversion kit using the most advanced techniques
and the best quality resin, but due to the nature of the casting process your
model may contain very slight air bubbles. These can easily be filled with
model filler or super glue. Any slight warpage of thin parts can easily be
corrected by immersing the part in hot tap water for about 1 minute then
carefully bending it back into shape.

THIS IS NOT A TOY

Not suitable for children under 15 years of age.

WARNING: Resin dust can be harmful if inhaled. Always wear a dust
mask or respirator when sanding or sawing resin parts.

Product code : 99590105302

The copyright on the model designs and components within
this box is the exclusive property of Games Workshop Ltd.
Copyright Games Workshop Ltd., 2007. All rights reserved.

