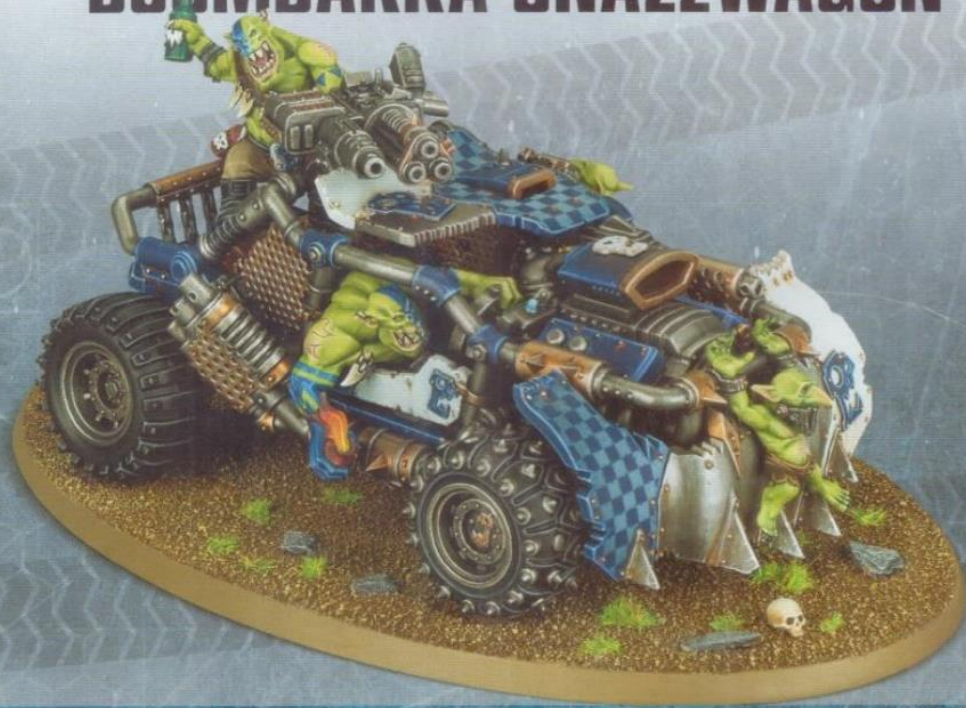


Free Downloads of Build Instructions,
Assembly Booklets & How To Guides

BuildInstructions.com

BOOMDAKKA SNAZZWAGON



• READ THIS FIRST • À LIRE EN PREMIER • LEER ANTES DE MONTAR • LIES DIES ZUERST • LEGGI PRIMA QUESTO

ENG

BEFORE ASSEMBLING YOUR MINIATURES PLEASE READ THROUGH THE INSTRUCTIONS IN THIS BOOKLET CAREFULLY. A pair of plastic cutters is required to remove the plastic components in this kit from their frame. We advise using a mouldline scraping tool to clean up the parts. To assemble your model you will need plastic glue. Games Workshop sells Citadel Fine Detail Cutters, Citadel Mouldline Remover and Citadel Plastic Glue, but does not recommend these products for use by children under the age of 16 without adult supervision.

FRE

AVANT D'ASSEMBLER VOS FIGURINES, VEUILLEZ LIRE ATTENTIVEMENT LES INSTRUCTIONS DE CE LIVRET. Une pince coupante est requise pour détacher chaque élément de sa grappe. Nous vous recommandons l'utilisation d'un grattoir pour ébarber les éléments. Pour l'assemblage, vous aurez également besoin de colle plastique. Games Workshop commercialise les Pincés de Précision Citadel, l'Ébarboir Citadel et la Colle Plastique Citadel, mais n'en recommande pas l'utilisation pour des enfants de moins de 16 ans sans la supervision d'un adulte.

SPA

POR FAVOR, LEE CUIDADOSAMENTE ESTE LIBRETO DE INSTRUCCIONES ANTES DE EMPEZAR A MONTAR LAS MINIATURAS. Te harán falta unas tenazas para plástico a fin de separar las piezas de la matriz. También aconsejamos una herramienta para rebabas a fin de limpiar cada pieza. Para montar la miniatura necesitarás pegamento para plástico. Games Workshop vende Tenazas Citadel, Herramientas para rebabas Citadel y Pegamento para plástico Citadel, pero no recomienda estos productos a menores de 16 años sin la supervisión de un adulto.

GER

VOR DEM ZUSAMMENBAU DER MINIATUREN BITTE DIE ANWEISUNGEN IN DIESER ANLEITUNG AUFMERKSAM DURCHLESEN. Du benötigst einen Kunststoffseitenschneider, um die Kunststoffbauteile aus dem Gussrahmen herauszutrennen, und Kunststoffkleber, um die Miniatur zusammenzubauen. Außerdem empfehlen wir, die Bauteile vorher mit einem Gussgratentferner zu säubern. Games Workshop bietet Präzisions-Kunststoffseitenschneider von Citadel sowie Citadel-Kunststoffkleber an, empfiehlt aber, dass Kinder unter 16 Jahren diese nur unter Aufsicht eines Erwachsenen benutzen.

ITA

PRIMA DI ASSEMBLARE LE TUE MINIATURE LEGGI ATTENTAMENTE TUTTE LE ISTRUZIONI DI QUESTO LIBRETTO. Sono necessarie un paio di tronchesine per plastica per staccare i componenti dai loro sprue. Consigliamo di usare un attrezzo apposito per pulire i componenti. Per assemblare il modello avrai bisogno di colla per plastica. Games Workshop vende Tronchesine di precisione Citadel, Attrezzo per ripulire Citadel e Colla per plastica Citadel, ma non consiglia questi prodotti ad un pubblico minore di 16 anni senza la supervisione di un adulto.

• EXPLANATION OF SYMBOLS • EXPLICATION DES SYMBOLES • EXPLICACIÓN DE SIMBOLOS
• ERLÄUTERUNG DER SYMBOLE • LEGENDA DEI SIMBOLI



- Dry fit stage before gluing
- Tester avant de coller
- Comprobar el encaje antes de pegar
- Positionierung erst ohne Klebstoff ausprobieren
- Prova a secco prima di incollare



- Paint before assembly
- Peindre avant assemblage
- Pintar antes del montaje
- Erst bemalen, dann zusammenbauen
- Dipingi prima dell'assemblaggio



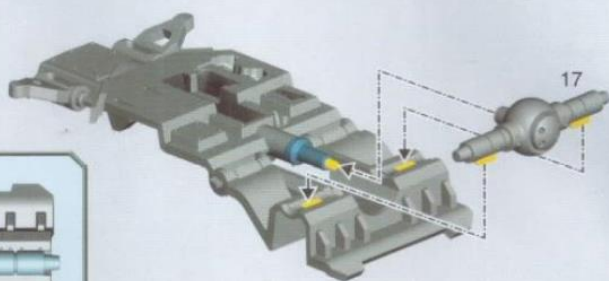
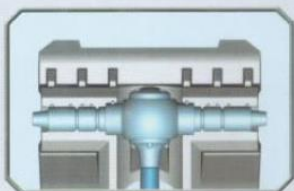
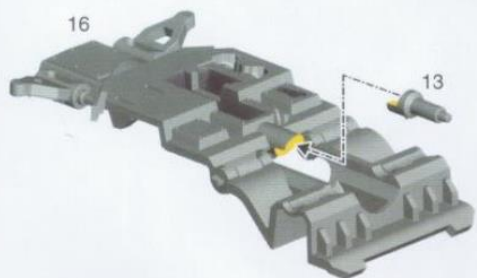
- Repeat process
- Répéter l'étape
- Repetir pasos
- Vorgang wiederholen
- Ripeti il processo

BOOMDAKKA SNAZZWAGON

1 a

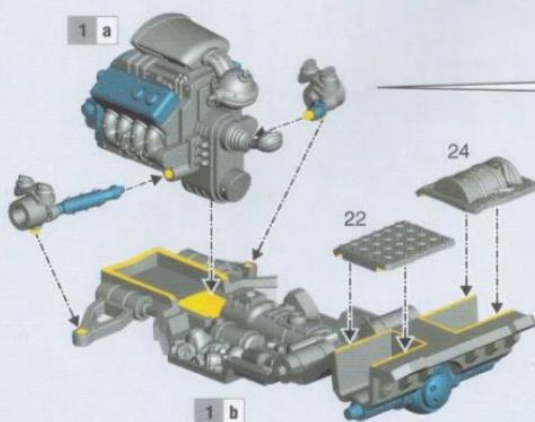


1 b



1 c

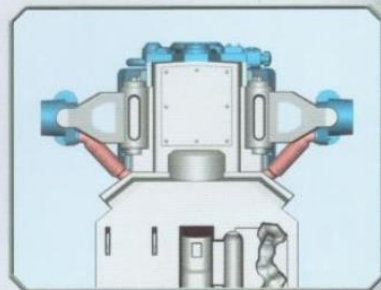
1 a



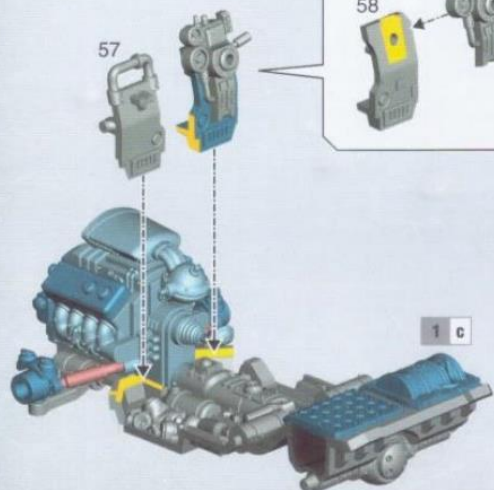
1 b

53

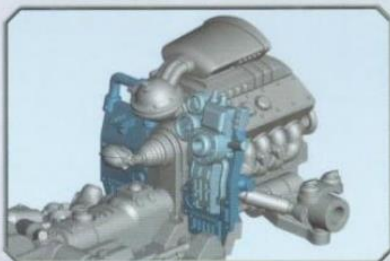
55



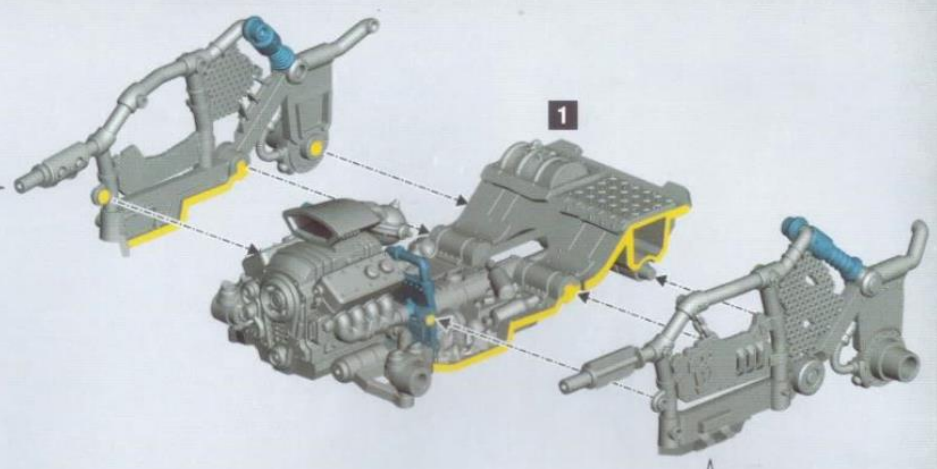
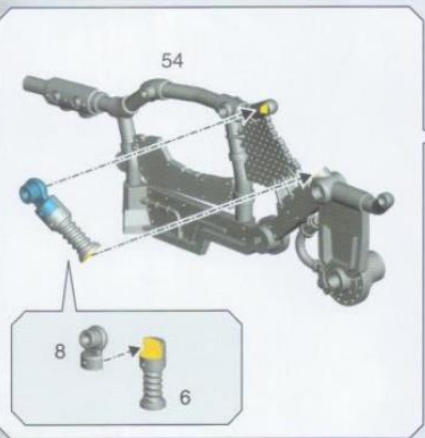
1 d



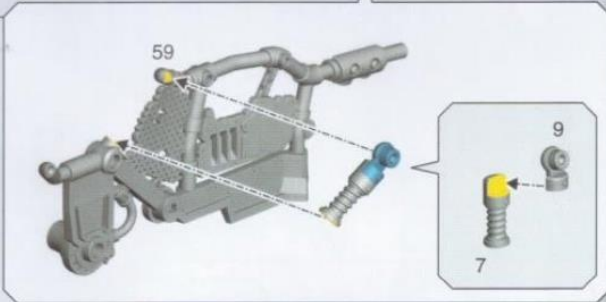
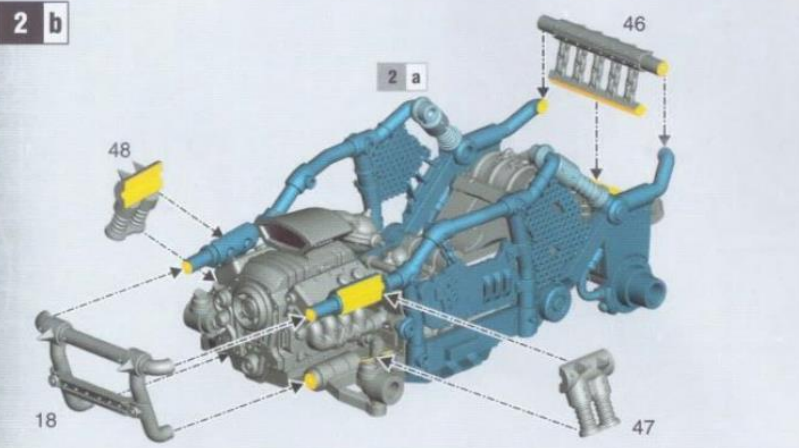
1 c



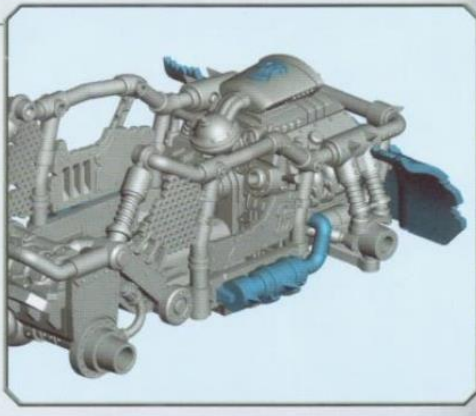
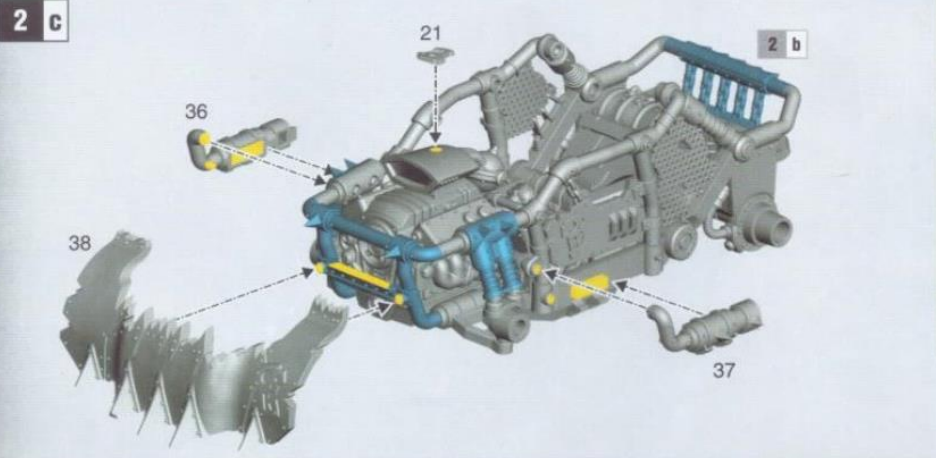
2 a



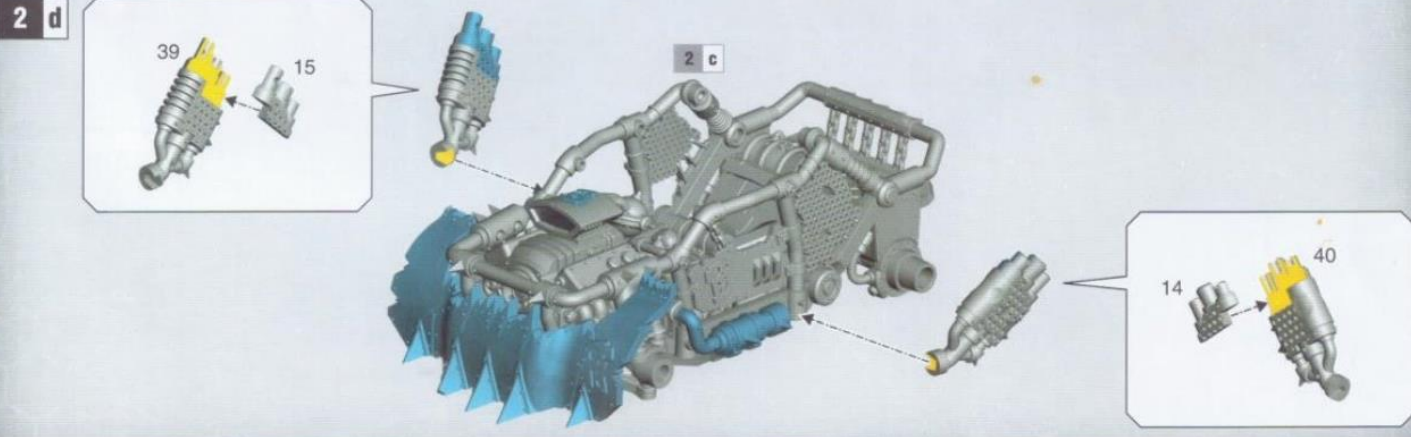
2 b



2 c

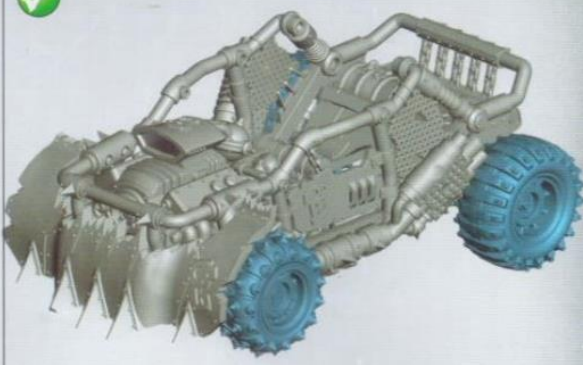


2 d

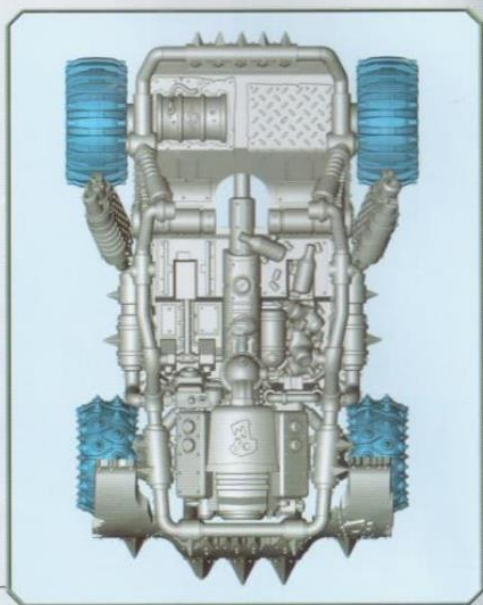
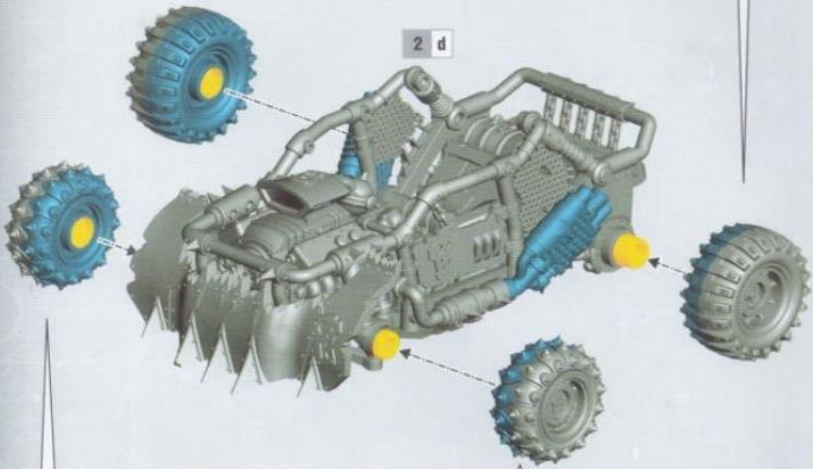


2 e

x2



2 d



x2

12



3 a

29

26

28



31



3 b

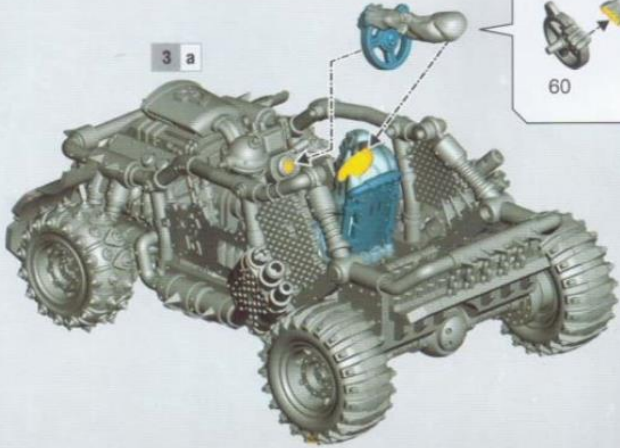


25

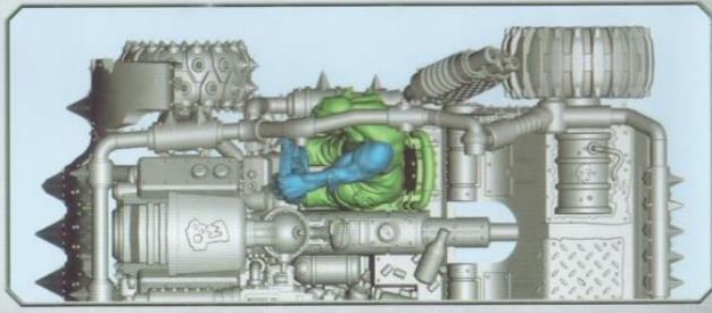
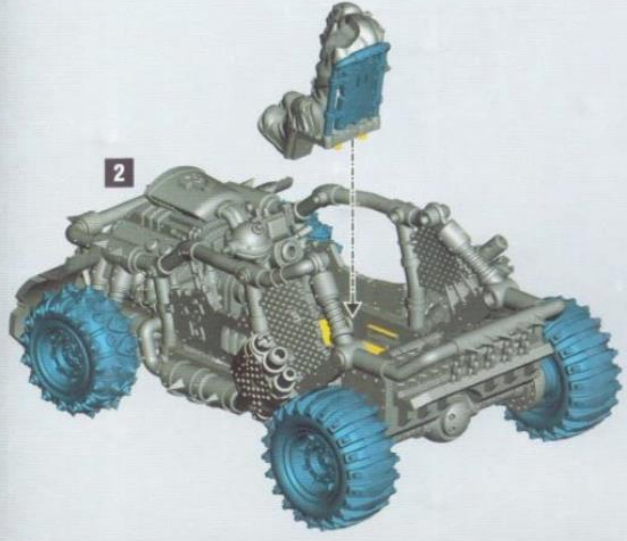
60



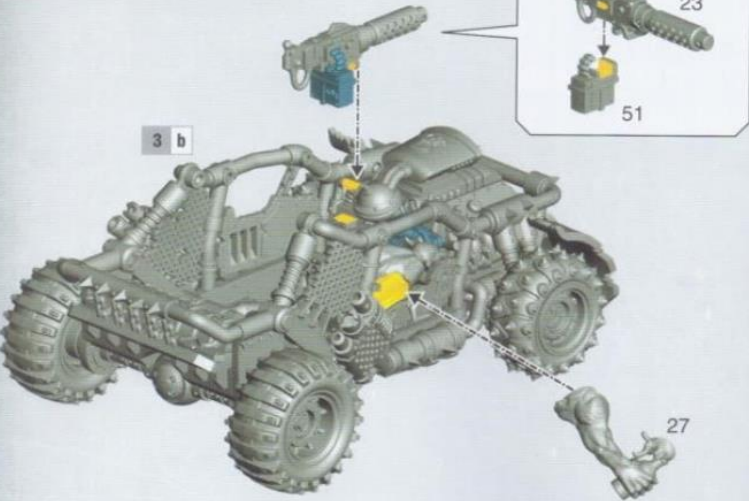
3 a



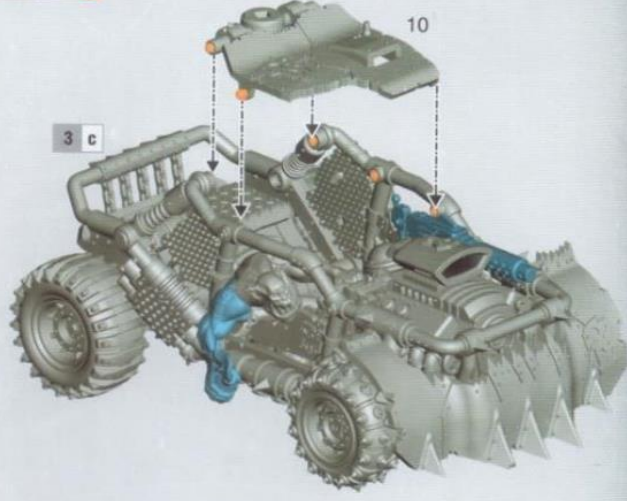
2



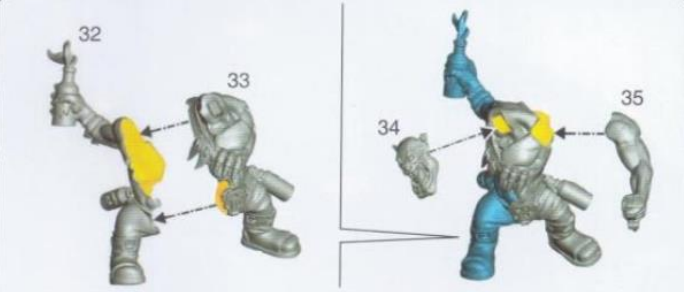
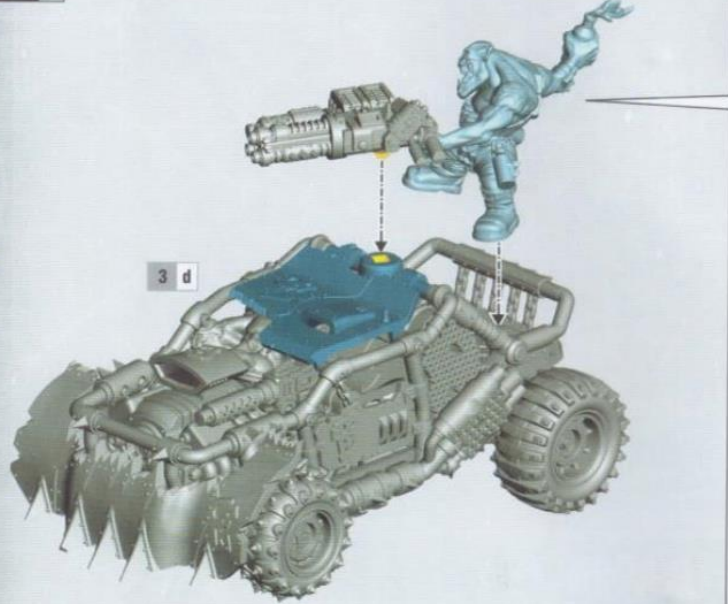
3 c



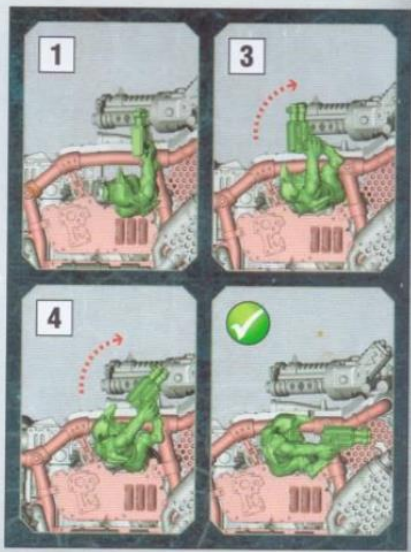
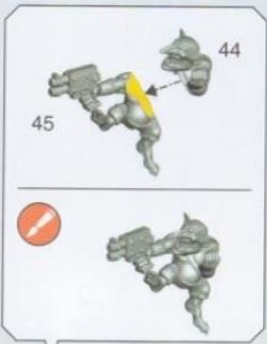
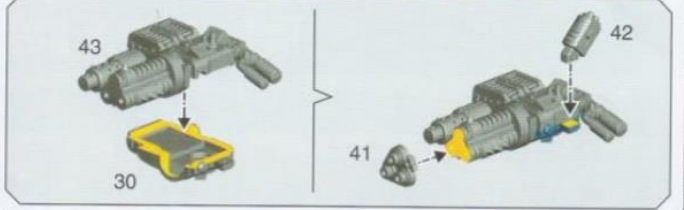
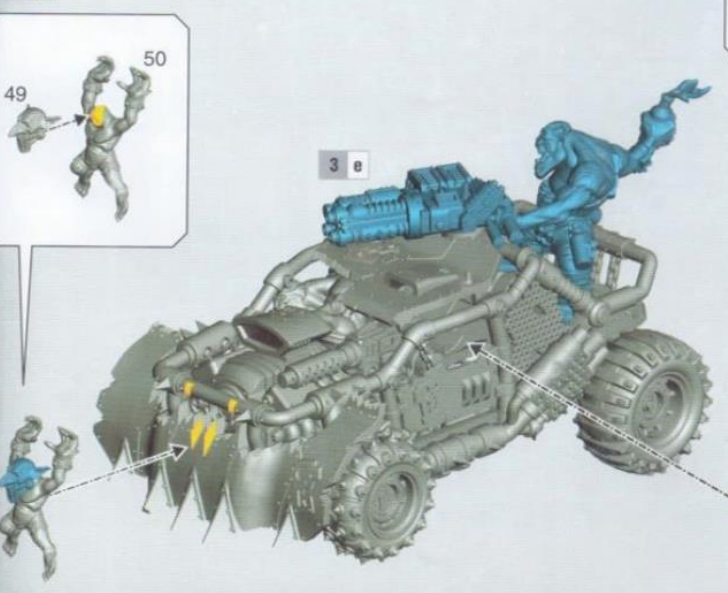
3 d

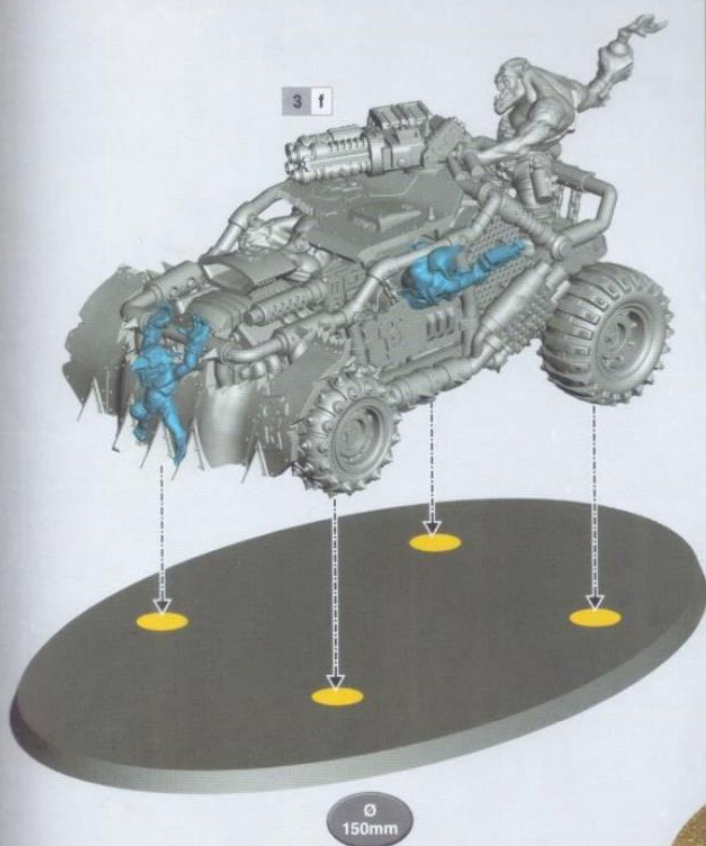


3 e



3 f





ENGLISH

These essential rules will get your new unit on the battlefield – for the full rules for this unit, see the codex relevant to your army.

BOOMDAKKA SNAZZWAGON

5
POWER

NAME	M	WS	BS	S	T	W	A	Ld	Sv
Boomdakka Snazzwagon	12"	4+	5+	5	6	8	4	6	4+

This unit contains 1 Boomdakka Snazzwagon. It can include 1 additional Boomdakka Snazzwagon (Power Rating +5) or 2 additional Boomdakka Snazzwagons (Power Rating +10). Each model is equipped with a Mek speshul and big shoota, and each model's crew is armed with burna bottles and a grot blasta.

WEAPONS	RANGE	TYPE	S	AP	D	ABILITIES
Big shoota	36"	Assault 3	5	0	1	-
Grot blasta	12"	Pistol 1	3	0	1	-
Mek speshul	24"	Assault 9	5	-2	1	-
Burna bottles	6"	Grenade 2D6	4	0	1	-

Units do not receive the benefit of cover to their saving throws for attacks made with this weapon.

ABILITIES

'Ere We Go, Mob Rule, Dakka! Dakka! Dakka!, Speed Mob

Grot Gunner: Add 1 to hit rolls for attacks made with this model's big shoota and grot blasta.

Billowing Fumes: Subtract 1 from hit rolls for attacks made with ranged weapons that target this model.

Riding Shotgun: When this model shoots, it can throw a Grenade and shoot with its Pistol(s) in addition to any other weapons.

Explodes: If this model is reduced to 0 wounds, roll a D6. On a 4+ it explodes, and each unit within D6" suffers D3 mortal wounds.

FACTION KEYWORDS

ORK, <CLAN>

KEYWORDS

VEHICLE, SPEED FREEKS, BOOMDAKKA SNAZZWAGONS