



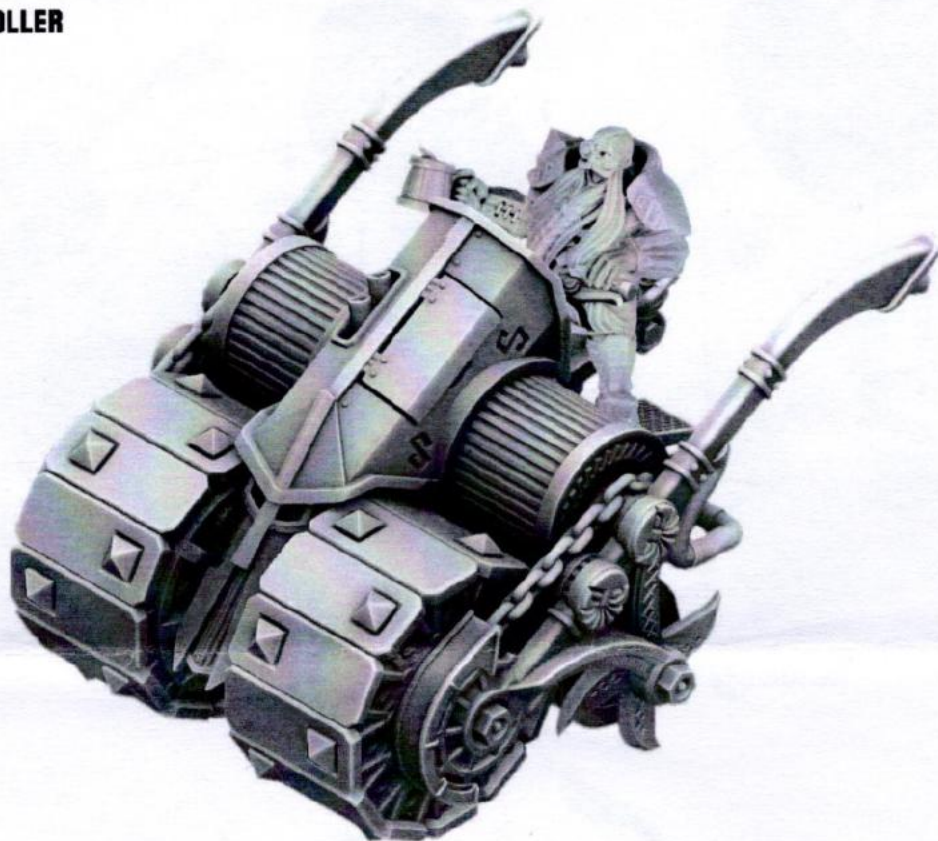
Free Downloads of Build Instructions,
Assembly Booklets & How To Guides

BuildInstructions.com

BLOOD BOWL[®]

THE GAME OF FANTASY FOOTBALL

DWARF DEATHROLLER



THIS IS NOT A TOY

Not suitable for children under 15 years of age.

WARNING: Resin dust can be harmful if inhaled. Always wear a dust mask or respirator when sanding or sawing resin parts.

Preparing the Model for Assembly

Before assembling the model, wash each part thoroughly with an abrasive brush, such as a toothbrush, to remove any model release agent that may still be on the surface of the parts. Then, remove any excess resin such as mould lines, casting gates, vents and shims. For a more detailed guide to working with resin models, go to the Downloads section of the Forge World website.

This kit contains all the pieces required to construct a Dwarf Deathroller. To glue the resin pieces together, use Citadel Super Glue.

NOTE: We have cast this kit using advanced techniques and the best quality resin, but due to the nature of the casting process, your model may contain small air bubbles. These can easily be filled with model filler or super glue. Any slight warpage of thin parts can easily be corrected by immersing the part in hot tap water for about 1 minute, then carefully bending it back into shape.

If you need to contact the Forge World Customer Service team regarding this model, you can get in touch via email - forgeworld@gwplc.com - or call:

0115 900 4995 within the UK

011 44 115 900 4995 from the USA and Canada

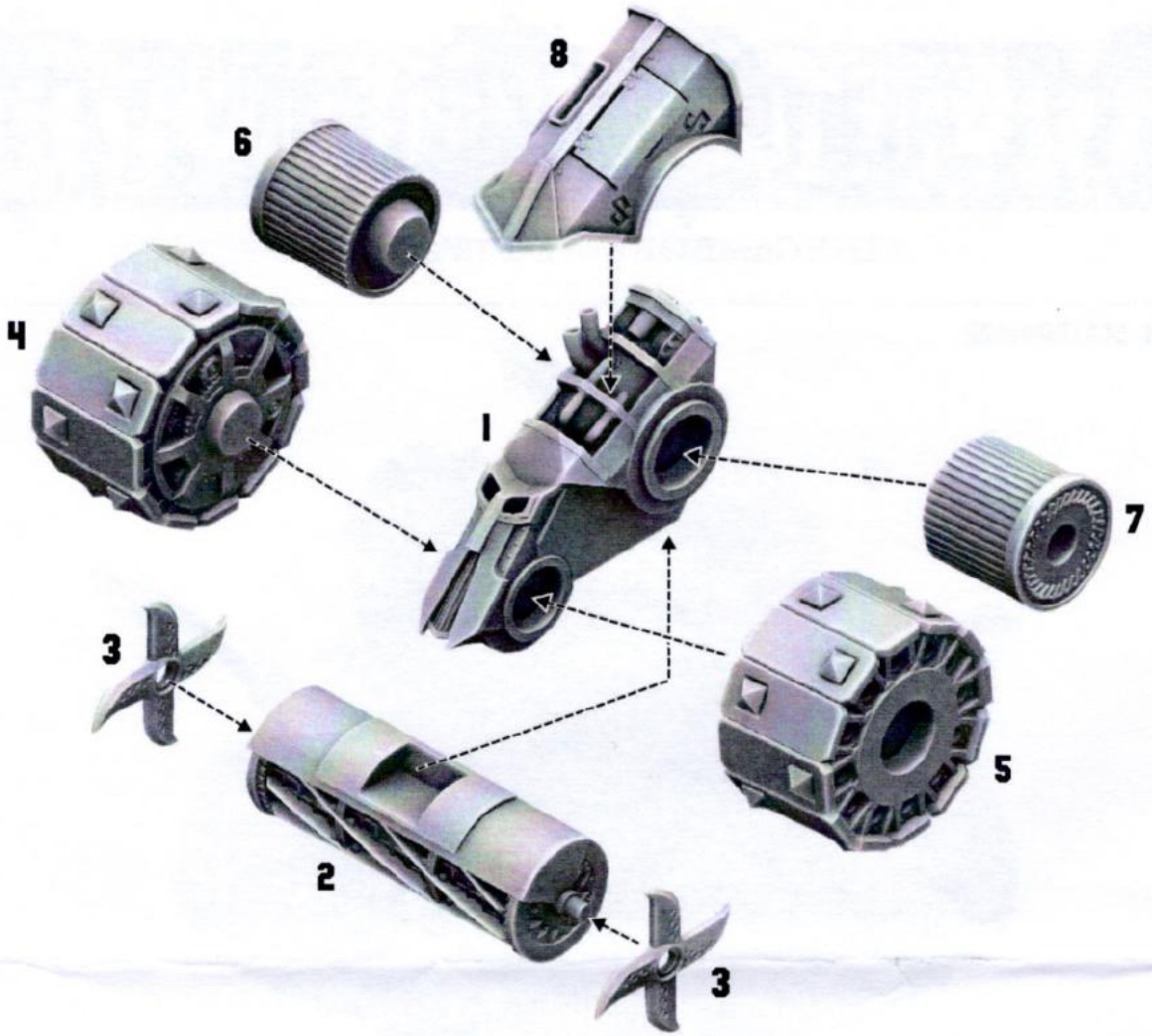
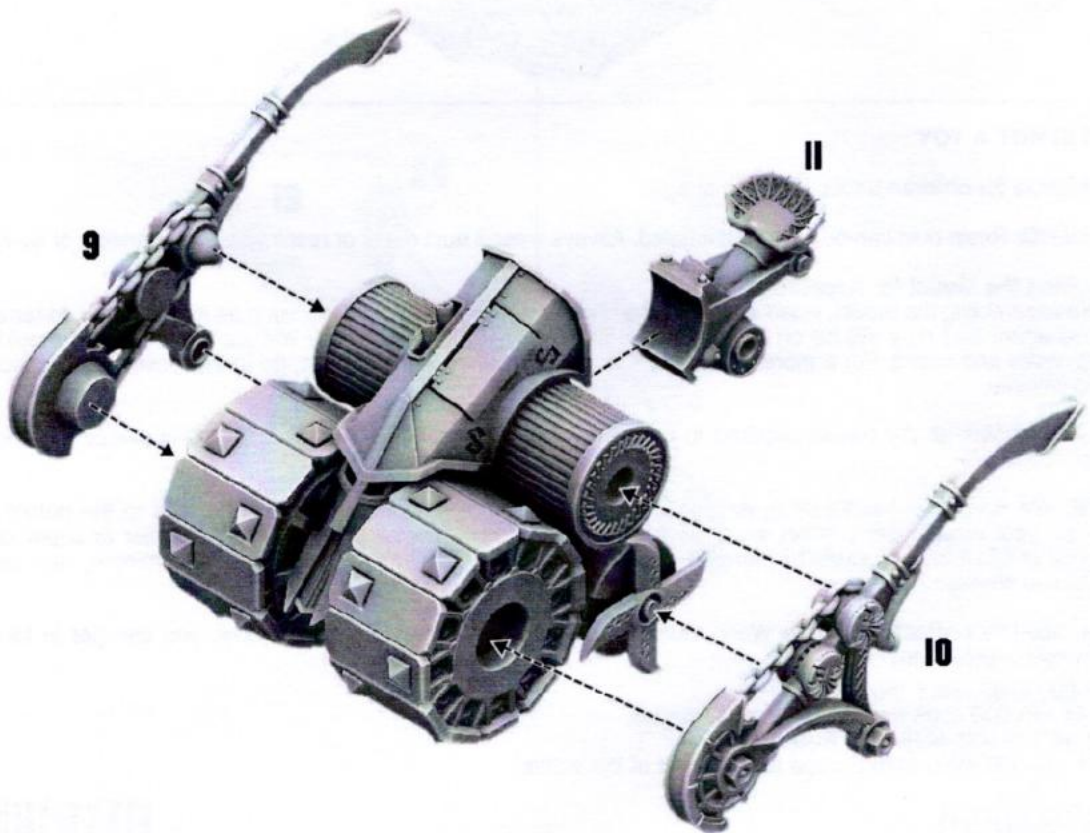
0011 44 115 900 4995 from Australia

00 44 115 900 4995 from Europe and the rest of the world.

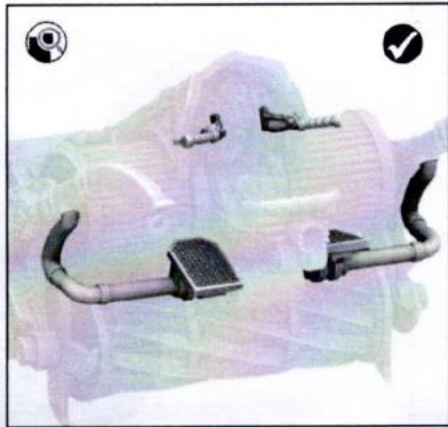
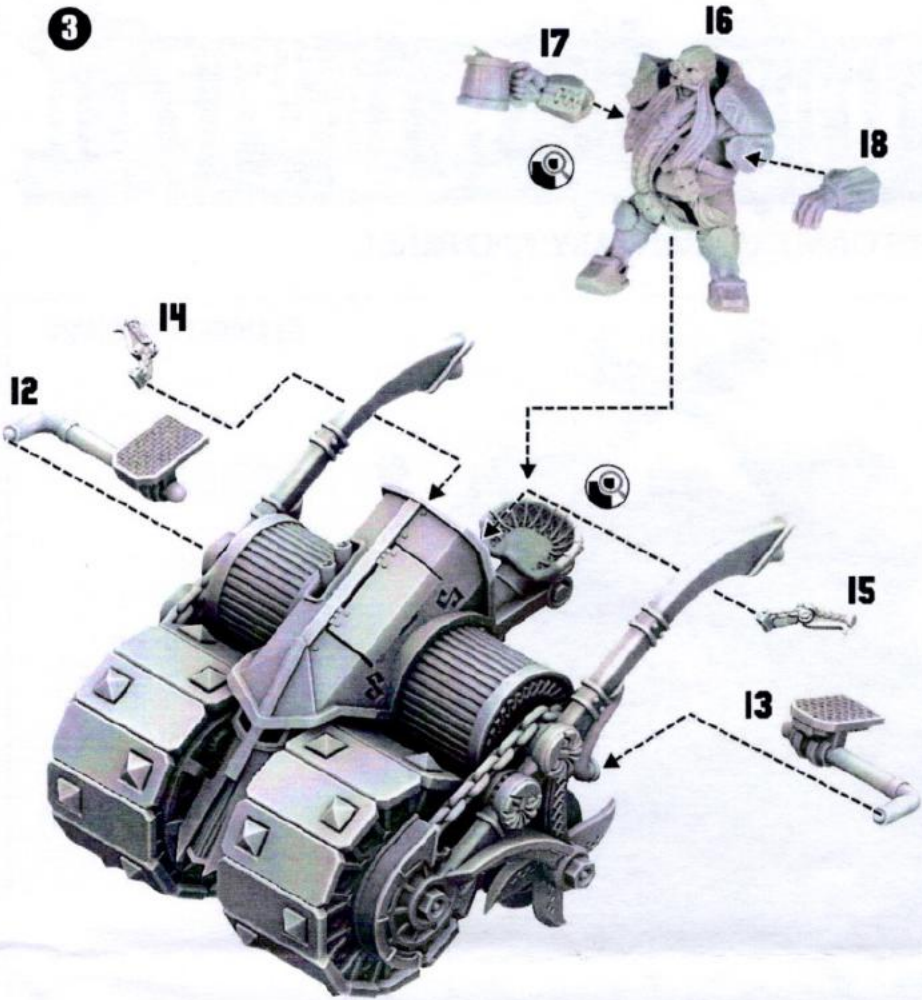
Forge World

© Copyright 2017 Games Workshop Ltd. All rights reserved.

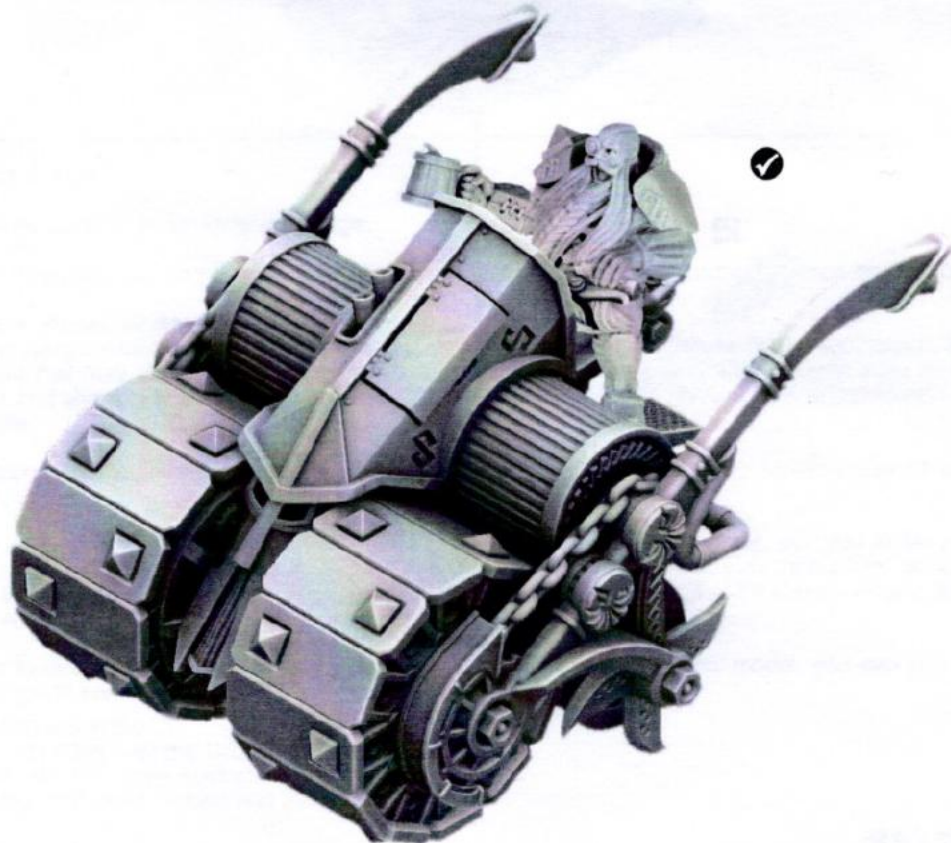


1**2**

3



 Detail view



BLOOD BOWL[®]

THE GAME OF FANTASY FOOTBALL

4

